

Dell™ PowerEdge™

Expandable RAID Controller x

Removing and Installing the Battery and Battery Cable on PERC Controllers

在 PERC 控制器上拆装电池和电池电缆
拆装 PERC 控制器的電池和電池電纜

Retrait et installation de la batterie
et de son câble sur les contrôleurs PERC

Entfernen und Installieren des Akkus und
des Akkukabels bei PERC-Controllern

PERC コントローラのバッテリーとバッテ
リーケーブルの取り外しと取り付け

PERC 컨트롤러의 전지 및 전지
케이블 제거 / 설치

Установка и удаление батареи и кабеля
батареи на контроллерах PERC

Extracción e instalación de la batería y el cable
de la batería en controladoras PERC

Model UCP-50 and UCP-51



Dell™ PowerEdge™

Expandable RAID Controller *x*

Removing and Installing the Battery and Battery Cable on PERC Controllers



Notes, Notices, and Cautions



NOTE: A NOTE indicates important information that helps you make better use of your computer.



NOTICE: A NOTICE indicates either potential damage to hardware or loss of data and tells you how to avoid the problem.



CAUTION: A CAUTION indicates a potential for property damage, personal injury, or death.

Information in this document is subject to change without notice.

© 2007 Dell Inc. All rights reserved.

Reproduction in any manner whatsoever without the written permission of Dell Inc. is strictly forbidden.

Trademarks used in this text: *Dell*, the *DELL* logo, *Dell Precision*, and *PowerEdge*, are trademarks of Dell Inc.

Other trademarks and trade names may be used in this document to refer to either the entities claiming the marks and names or their products. Dell Inc. disclaims any proprietary interest in trademarks and trade names other than its own.

Model UCP-50 and UCP-51

November 2007

P/N XR434

Rev. A00

Removing and Installing the Battery and Battery Cable on PERC Controllers

This document contains information on removing and installing the battery, battery cable, and memory module on Dell™ PowerEdge™ Expandable RAID Controllers (PERC).

- See page 4 for PERC x/E , where x is the generation of the card (i.e., 5, 6, etc.) battery removal and installation procedures
- See page 10 for PERC x/i battery removal and installation procedures

Important Safety Information



CAUTION: Any installation that requires removal of the system cover is intended solely to be performed by trained service technicians. See the *Product Information Guide* that came with your system for complete information about safety precautions, working inside the computer, and protecting against electrostatic discharge.



NOTE: See the *Product Information Guide* that came with your system for complete information about U.S. Terms and Conditions of Sale, Limited Warranties and Returns, Export Regulations, Software License Agreement, Safety, Environmental and Ergonomic Instructions, Regulatory Notices, and Recycling Information.

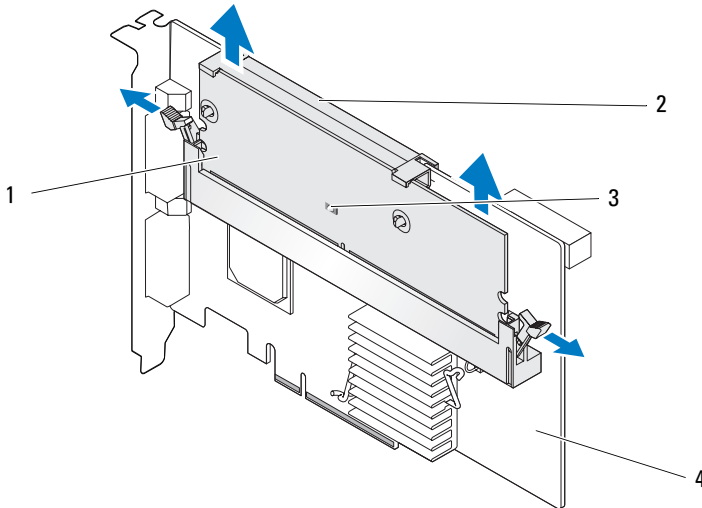
Removing the Transportable Battery Backup Unit (TBBU) from a PERC x/E Adapter

This section describes the procedure to remove the TBBU from a PERC x/E Adapter installed in a system.

NOTE: The TBBU on the PERC x/E Adapter consists of a dual in-line memory module (DIMM) and a battery backup unit (BBU).

- 1 Perform a controlled shutdown of the system in which the PERC x/E Adapter is installed, as well as any attached storage enclosures, and remove the PERC x/E Adapter from the system. See the *Dell PowerEdge Expandable RAID Controller x/i and x/E User's Guide* for more information.
- 2 Visually inspect the controller and determine whether the dirty cache LED on the memory module is turned on. See Figure 1. If the LED is turned on, reinsert the controller into the system, replace the system cover, reconnect the system to the electrical outlet, turn on the system, and repeat step 1.

Figure 1. PERC x/E Adapter Dirty Cache LED Location



- | | | | |
|---|-----------------|---|------------------|
| 1 | memory module | 2 | battery |
| 3 | dirty cache LED | 4 | PERC x/E Adapter |

CAUTION: Running a system without the system cover installed may cause damage due to improper cooling.


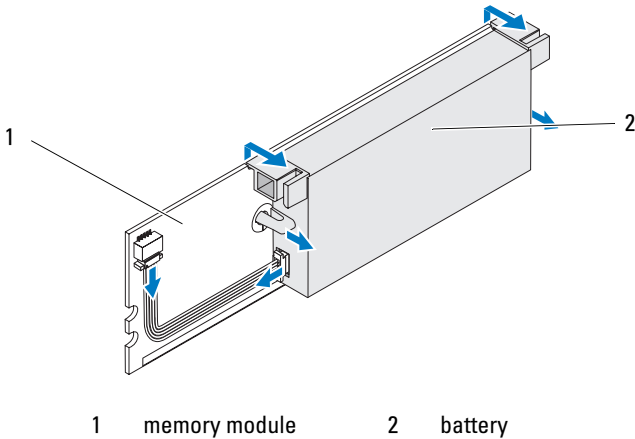

- 3 Remove the TBBU assembly from the PERC *x/E* Adapter by pressing down on the tabs at each edge of the memory module connector and lifting the TBBU off the adapter.
- 4 Disconnect the battery cable from the memory module.
 -  **NOTE:** Do not exert excessive pressure on the connector on the memory module while removing the memory module.
- 5 Detach the battery from the memory module by pressing out on the battery clips inserted through the memory module and rotating the battery off the memory module. See Figure 2.

Figure 2. Removing the BBU





Installing the New BBU and Battery Cable


This section describes the installation of the BBU and battery cable onto the DIMM of a PERC x/E Adapter.

 **CAUTION:** Only trained service technicians are authorized to remove the system cover and access any of the components inside the system. Before performing any procedure, see your *Product Information Guide* for complete information about safety precautions, working inside the computer, and protecting against electrostatic discharge.


- 1 Unpack the BBU and follow all antistatic procedures.

 **NOTE:** All work must be performed at an Electrostatic Discharge (ESD)-safe workstation to meet the requirements of EIA-625—"Requirements For Handling Electrostatic Discharge Sensitive Devices." All actions must be performed following the IPC-A-610 latest revision ESD recommended practices.

 **NOTE:** Handle all sensitive components in a static-safe area. If possible, use antistatic floor pads and work bench pads.

 **NOTE:** When unpacking a static sensitive component from its shipping carton, do not remove the component from the antistatic packing material until you are ready to install the component. Just before unwrapping the antistatic package, be sure to discharge static electricity from your body.

- 2 With the memory module removed from the controller, insert one end of the battery cable (the red, white, yellow, and green wires) into the connector on the memory module and the other end into the connector on the battery.

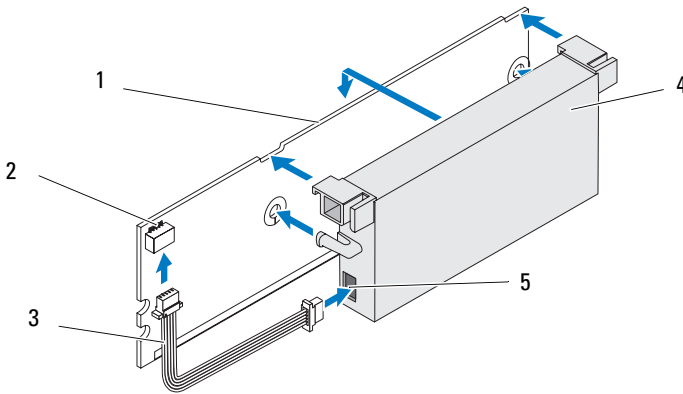
 **NOTE:** Do not exert excessive pressure on the connector on the memory module while installing the memory module.

- 3 Place the top edge of the battery over the top edge of the memory module so that the arms on the side of the battery fit into their sockets on the memory module. See Figure 3.



CAUTION: Electrostatic discharge can damage sensitive components. Always use proper antistatic protection when handling components. Touching components without proper grounding can damage the equipment.

Figure 3. Installing the BBU and Battery Cable



- | | | |
|-----------------|----------------------------------|-----------------|
| 1 memory module | 2 connector on the memory module | 3 battery cable |
| 4 battery | 5 connector on the battery | |

- 4 Place the PERC x/E Adapter on a flat, clean, and static-free surface.
- 5 Mount the memory module on the controller memory socket like a standard DIMM. See the section "Installing the TBBU on a PERC x/E Adapter" for more information.

The memory module is mounted flush with the board so that the memory module is parallel to the board when installed.

- 6 Press the memory module firmly into the memory socket. As you press the memory module into the socket, the BBU clicks into place, indicating that the controller is firmly seated in the socket, and the arms on the socket fit into the notches to hold the memory module securely.

Installing the TBBU on a PERC x/E Adapter

This section describes the procedure to install the memory module on a PERC x/E Adapter.



CAUTION: Only trained service technicians are authorized to remove the system cover and access any of the components inside the system. Before performing any procedure, see your *Product Information Guide* for complete information about safety precautions, working inside the computer, and protecting against electrostatic discharge.



NOTE: The TBBU on the PERC x/E Adapter consists of a dual in-line memory module (DIMM) and a battery backup unit (BBU).

- 1 Remove the memory module in an antistatic environment.



NOTE: When unpacking a static-sensitive component from its shipping carton, do not remove the component from the antistatic packing material until you are ready to install the component. Just before unwrapping the antistatic package, be sure to discharge static electricity from your body.



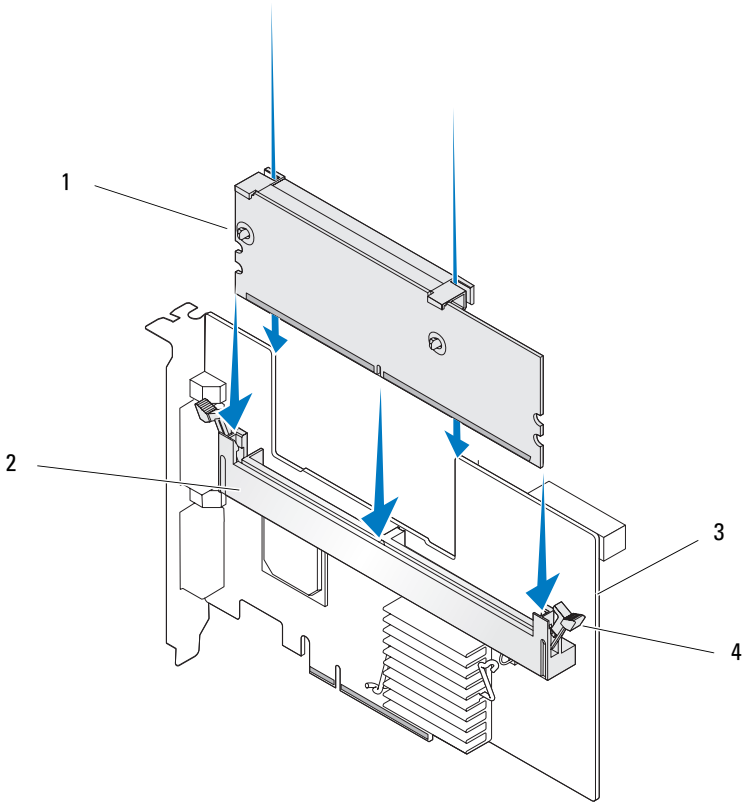
NOTE: Handle all sensitive components in a static-safe area. If possible, use antistatic floor pads and work bench pads.



NOTE: Never touch the gold leads and do not bend the memory module.

- 2 Align the memory module so that the keyed edge of the memory module is placed exactly on top of the physical divider on the memory socket of the controller. This will avoid damage to the memory module.
- 3 Insert the memory module on the memory socket of the controller and apply a smooth, downward pressure on both ends or on the middle of the memory module until the retention clips fall into the allotted slots on either side of the memory module. Figure 4 displays the installation of a memory module on a PERC x/E Adapter.


Figure 4. Installing a Dual In-line Memory Module




- | | | | |
|---|-----------------|---|----------------|
| 1 | memory module | 2 | memory socket |
| 3 | PERC xE Adapter | 4 | retention clip |


Removing the DIMM from a PERC *x/i* Controller

This section describes the procedure to remove the memory module from a PERC *x/i* Adapter or PERC *x/i* Integrated controller installed in a system.


 **CAUTION:** Only trained service technicians are authorized to remove the system cover and access any of the components inside the system. Before performing any procedure, see your *Product Information Guide* for complete information about safety precautions, working inside the computer, and protecting against electrostatic discharge.


 **NOTICE:** Depending on the generation of your PERC card, the DIMM memory module may not be removable. PERC 5/i cards include a removable DIMM module. PERC 6/i cards have an integrated DIMM module which cannot be removed. Do not attempt the following procedure on a PERC 6/i adapter or integrated controller card.

- 1 Perform a controlled shutdown of the system in which the PERC *x/i* controller is installed and remove the PERC *x/i* controller from the system. See the *Dell PowerEdge Expandable RAID Controller *x/i* and *x/E* User's Guide* for more information.

 **CAUTION:** Running a system without the system cover installed may cause damage due to improper cooling.

- 2 Remove the memory module by pressing down on the tabs at each edge of the memory module connector and lifting the memory module off the controller.

 **NOTE:** Do not exert excessive pressure on the connector on the memory module while removing the memory module.

 **NOTE:** The location of the PERC *x/i* Integrated controller varies from system to system. See the *Hardware Owner's Manual* included with the system for specific information on where the PERC *x/i* Integrated controller is located.

Disconnecting the BBU from a PERC x/i Controller

This section describes the procedure to disconnect the BBU on a PERC x/i Adapter or PERC x/i Integrated controller while it is installed in a system.



CAUTION: Only trained service technicians are authorized to remove the system cover and access any of the components inside the system. Before performing any procedure, see your *Product Information Guide* for complete information about safety precautions, working inside the computer, and protecting against electrostatic discharge.



NOTE: PERC x/i Adapters installed in Dell Precision™ workstations or PowerEdge SC servers do not have a BBU.

- 1 Perform a controlled shutdown of the system in which the PERC x/i controller is installed.
- 2 Disconnect the system from the electrical outlet and remove the system cover.



NOTE: See the *Hardware Owner's Manual* included with the system for more information on removing and reinstalling the system cover.

- 3 Locate the PERC x/i controller in the system and visually inspect the controller to determine whether the dirty cache LED on the controller is turned on. If the LED is turned on, replace the system cover, reconnect the system to power, turn the system on and repeat steps 1 and 2.



CAUTION: Running a system without the system cover installed may cause damage due to improper cooling.

- 4 Locate the battery cable connection next to the memory module on the controller, and disconnect the battery.

See the *Hardware Owner's Manual* included with the system for information on removing the BBU from the system chassis. The location of the TBBU for the PERC x/i controller varies from system to system.

Installing the DIMM and BBU to a PERC x/i controller

This section describes the installation of the TBBU on a PERC x/i Adapter or PERC x/i Integrated controller.



CAUTION: Only trained service technicians are authorized to remove the system cover and access any of the components inside the system. Before performing any procedure, see your *Product Information Guide* for complete information about safety precautions, working inside the computer, and protecting against electrostatic discharge.



NOTICE: Depending on the generation of your PERC card, the DIMM memory module may not be removable. PERC 5/i cards include a removable DIMM module. PERC 6/i cards have an integrated DIMM module which cannot be removed. Do not attempt the following procedure on a PERC 6/i adapter or integrated controller card.



NOTE: Charge the PERC x battery before initial use to attain full functionality.

- 1 Unpack the DIMM and BBU and follow all antistatic procedures.



NOTE: All work must be performed at an Electrostatic Discharge (ESD)-safe workstation to meet the requirements of EIA-625—"Requirements For Handling Electrostatic Discharge Sensitive Devices." All actions must be performed following the IPC-A-610 latest revision ESD recommended practices.



NOTE: Handle all sensitive components in a static-safe area. If possible, use antistatic floor pads and work bench pads.



NOTE: When unpacking a static sensitive component from its shipping carton, do not remove the component from the antistatic packing material until you are ready to install the component. Just before unwrapping the antistatic package, be sure to discharge static electricity from your body.

- 2 Locate the battery cable connection next to the memory module on the controller, and connect the battery.



NOTE: Do not use excessive pressure on the connector on the memory module while installing the memory module.

- 3 Align the memory module so that the keyed edge of the memory module is placed exactly on top of the physical divider on the memory socket of the controller. This will avoid damage to the memory module.
- 4 Insert the memory module on the memory socket of the controller and apply a smooth, downward pressure on both ends or on the middle of the memory module until the retention clips fall into the allotted slots on either side of the memory module.

Dell™ PowerEdge™ 可扩充

RAID 控制器 x

在 PERC 控制器上拆装电
池和电池电缆



注、注意和警告



注：“注”表示可以帮助您更好地使用计算机的重要信息。



注意：“注意”表示可能会损坏硬件或导致数据丢失，并告诉您如何避免此类问题。



警告：“警告”表示可能会出现导致财产损失、人身伤害甚至死亡的情况。

本说明文件中的信息如有更改，恕不另行通知。

© 2007 Dell Inc. 版权所有，翻印必究。

未经 Dell Inc. 书面许可，严禁以任何形式进行复制。

本文中使用的商标：Dell、DELL 徽标、Dell Precision 和 PowerEdge 是 Dell Inc. 的商标。

本文件中提及的其它商标和产品名称是指拥有相应商标和名称的公司或其制造的产品。Dell Inc. 对本公司的商标和产品名称之外的其它商标和产品名称不拥有任何专有权。

型号 UCP-50 和 UCP-51

2007 年 11 月

P/N XR434

修订版 A00

在 PERC 控制器上拆装电池和电池电缆

本说明文件介绍如何在 Dell™ PowerEdge™ 可扩充 RAID 控制器 (PERC) 上拆装电池、电池电缆和内存模块的信息。

- 有关 PERC x/E (其中 x 表示第几代卡, 如 5、6 等) 电池拆装过程的信息, 请参阅第 16 页
- 有关 PERC x/i 电池拆装过程的信息, 请参阅第 22 页

重要安全信息



警告: 任何需要拆卸系统护盖的安装均只限经过培训的维修技术人员进行。有关安全预防措施、拆装计算机内部组件以及防止静电释放的完整信息, 请参阅随系统提供的《产品信息指南》。



注: 有关美国销售条款和条件、有限保修与退回规定、出口法规、软件许可协议以及安全、环境和人机工程学说明、管制通告、循环利用信息等的完整内容, 请参阅随系统提供的《产品信息指南》。

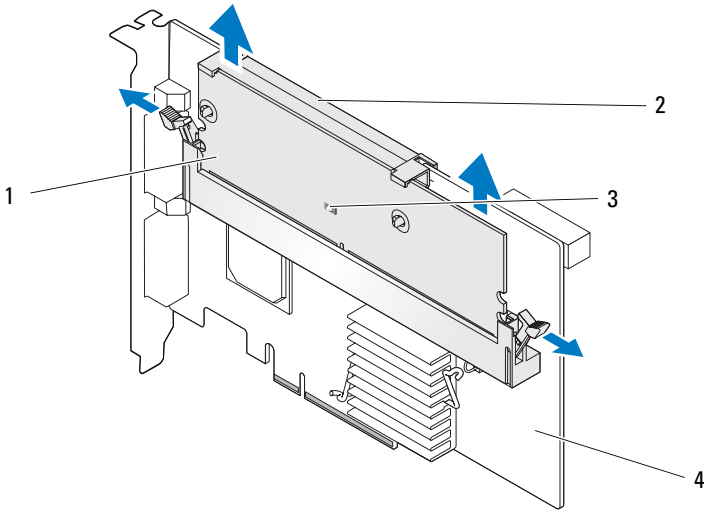
从 PERC x/E 适配器上卸下移动式电池备用单元 (TBBU)

本节介绍从安装在系统中的 PERC x/E 适配器上卸下 TBBU 的过程。

注： PERC x/E 适配器上的 TBBU 由一块双列直插式内存模块 (DIMM) 和一个电池备用单元 (BBU) 构成。

- 1 对安装了 PERC x/E 适配器的系统以及任何连接的存储设备执行从容关闭，并从系统中卸下 PERC x/E 适配器。有关详细信息，请参阅 *Dell PowerEdge Expandable RAID Controller x/i and x/E User's Guide* (Dell PowerEdge 可扩展 RAID 控制器 x/i 和 x/E 用户指南)。
- 2 通过外观来检查控制器，并确定内存模块上的已占用高速缓存 LED 是否亮起。请参阅图 1。如果 LED 已亮起，则将控制器重新插入系统中，装回系统护盖，将系统重新连接至电源插座，打开系统，然后重复步骤 1。

图 1. PERC x/E 适配器已占用高速缓存 LED 位置



- | | | | |
|---|-------------|---|--------------|
| 1 | 内存模块 | 2 | 电池 |
| 3 | 已占用高速缓存 LED | 4 | PERC x/E 适配器 |

警告： 如果运行系统时未安装系统护盖，则可能会由于冷却不当而导致设备损坏。


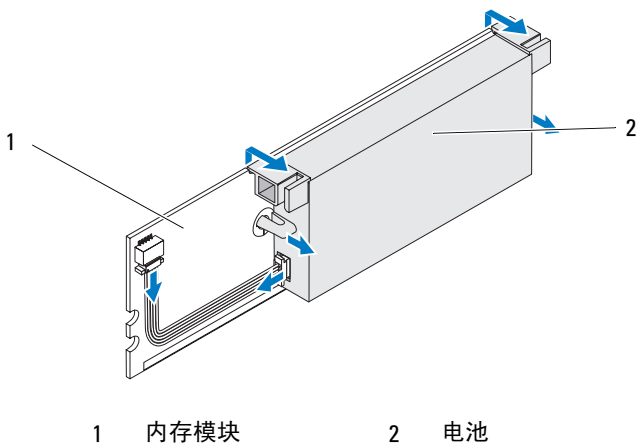

- 3 按下内存模块连接器两侧的卡舌并从适配器中提起内存模块 TBBU，从 PERC x/E 适配器中卸下 TBBU 部件。
- 4 从内存模块上断开电池电缆连接。
 **注：**卸下内存模块时，请勿过度用力挤压内存模块上的连接器。
- 5 向外按压插入内存模块中的电池固定夹并旋转电池使之脱离内存模块，从内存模块中卸下电池。请参阅图 2。

图 2. 卸下 BBU





安装新 BBU 和电池电缆


本节介绍如何将 BBU 和电池电缆安装到 PERC x/E 适配器的 DIMM 中。

 **警告：**只有经过培训的维修技术人员才有权卸下系统护盖并拆装系统内部的任何组件。在执行任何过程之前，请参阅《产品信息指南》，获取有关安全预防措施、拆装计算机内部组件以及防止静电释放的完整信息。


- 1 打开 BBU 包装，并遵循所有防静电过程。

 **注：**所有工作均必须在无静电释放 (ESD) 的工作站上执行，以满足 EIA-625-“处理静电释放敏感设备需求”的要求。执行所有操作时，必须遵循 IPC-A-610 最新版本 ESD 建议的方法。

 **注：**请在无静电的工作区内处理所有的敏感组件。如果可能，请使用防静电的地板垫和工作台垫。

 **注：**打开包装箱取出静电敏感组件时，如果不准备安装此组件，请不要将其从防静电包装材料中取出。打开防静电包装之前，应确保已导去身上的静电。

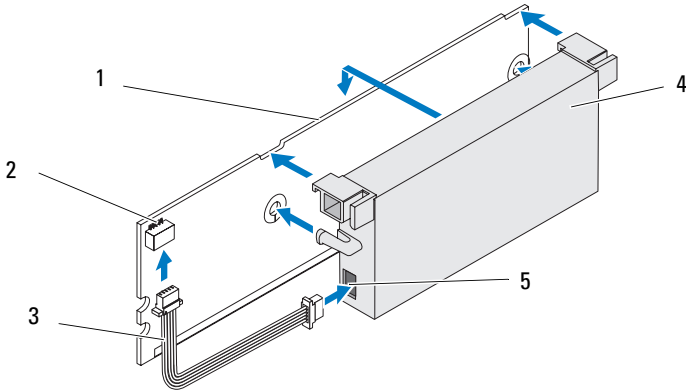
- 2 从控制器中卸下内存模块后，将电池电缆（红、白、黄和绿线）的一端插入内存模块上的连接器中，将另一端插入电池上的连接器中。

 **注：**安装内存模块时，请勿过度用力挤压内存模块上的连接器。

- 3 将电池的顶部边缘放在内存模块的顶部边缘之上，以便电池一侧的支臂可装入内存模块上的插槽中。请参阅图 3。

警告： 静电释放可能会损坏敏感组件。拿放组件时，应始终采用正确的静电防护措施。在未正确接地的情况下触摸组件可能会损坏设备。

图 3. 安装 BBU 和电池电缆





- | | | |
|--------|-------------|--------|
| 1 内存模块 | 2 内存模块上的连接器 | 3 电池电缆 |
| 4 电池 | 5 电池上的连接器 | |

- 4 将 PERC x/E 适配器放置在平坦、整洁、无静电的平面上。
- 5 在控制器内存插槽中安装内存模块，如标准 DIMM。有关详情，请参阅“在 PERC x/E 适配器上安装 TBBU”一节。
安装内存模块，应使模块与系统板平齐，以便内存模块在安装后与系统板平行。
- 6 将内存模块牢固地按入内存插槽中。随着将内存模块按入插槽中，BBU 将卡入到位，这表示控制器已稳固地插入插槽中，同时插槽上的支臂也插入槽口中，以确保牢固地把持内存模块。


在 PERC x/E 适配器上安装 TBBU


本节介绍在 PERC x/E 适配器上安装内存模块的过程。


 **警告：**只有经过培训的维修技术人员才有权卸下系统护盖并拆装系统内部的任何组件。在执行任何过程之前，请参阅《产品信息指南》，获取有关安全预防措施、拆装计算机内部组件以及防止静电释放的完整信息。

 **注：**PERC x/E 适配器上的 TBBU 由一块双列直插式内存模块 (DIMM) 和一个电池备用单元 (BBU) 构成。

- 1 在防静电环境中卸下内存模块。

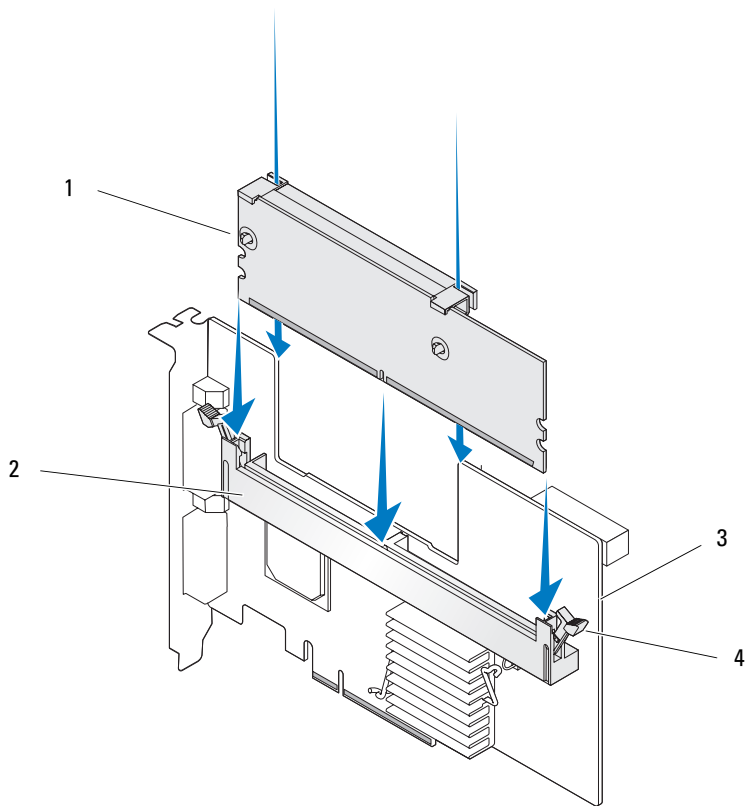
 **注：**打开包装箱取出静电敏感组件时，如果不准备安装此组件，请不要将其从防静电包装材料中取出。打开防静电包装之前，应确保已导去身上的静电。

 **注：**请在无静电的工作区内处理所有的敏感组件。如果可能，请使用防静电的地板垫和工作台垫。

 **注：**请勿触摸镀金导线，也不要弯曲内存模块。

- 2 对齐内存模块，以便内存模块的键槽边缘正好放在控制器内存插槽上的物理分隔架顶部。这样可以避免损坏内存模块。
- 3 在控制器的内存插槽上插入内存模块，并在内存模块两侧或中间施加平稳向下的力，直至固定夹插入内存模块任一侧上分配的插槽中。图 4 显示了如何在 PERC x/E 适配器上安装内存模块。


图 4. 安装双列直插式内存模块




- | | | | |
|---|--------------|---|------|
| 1 | 内存模块 | 2 | 内存插槽 |
| 3 | PERC x/E 适配器 | 4 | 固定夹 |


从 PERC x/i 控制器中卸下内存模块

本节介绍从安装在系统中的 PERC x/i 适配器或集成的 PERC x/i 控制器上卸下内存模块的过程。


 **警告：**只有经过培训的维修技术人员才有权卸下系统护盖并拆装系统内部的任何组件。在执行任何过程之前，请参阅《产品信息指南》，获取有关安全预防措施、拆装计算机内部组件以及防止静电释放的完整信息。


 **注意：**DIMM 内存模块可能不可拆卸，具体视您的 PERC 卡是第几代而定。PERC 5/i 卡包括一个可拆卸的 DIMM 模块。PERC 6/i 卡拥有一个不可拆卸的集成 DIMM 模块。请勿在 PERC 6/i 适配器或集成的控制器卡上尝试以下过程。

- 1 对安装了 PERC x/i 控制器的系统执行从容关闭，并从系统中卸下 PERC x/i 控制器。有关详情，请参阅 *Dell PowerEdge Expandable RAID Controller x/i and x/E User's Guide*（Dell PowerEdge 可扩充 RAID 控制器 x/i 和 x/E 用户指南）。

 **警告：**如果运行系统时未安装系统护盖，则可能会由于冷却不当而导致设备损坏。


- 2 按下内存模块连接器两侧的卡舌并从控制器中提起内存模块，从而卸下内存模块。

 **注：**卸下内存模块时，请勿过度用力挤压内存模块上的连接器。

 **注：**PERC x/i 集成控制器的位置随系统不同而异。有关 PERC x/i 集成控制器位置的具体信息，请参阅系统附带的《硬件用户手册》。

从 PERC x/i 控制器中断开 BBU 连接

本节介绍从安装在系统中的 PERC x/i 适配器或 PERC x/i 集成控制器上断开 BBU 连接的过程。

 **警告：**只有经过培训的维修技术人员才有权卸下系统护盖并拆装系统内部的任何组件。在执行任何过程之前，请参阅《产品信息指南》，获取有关安全预防措施、拆装计算机内部组件以及防止静电释放的完整信息。



注：安装在 Dell Precision™ 工作站或 PowerEdge SC 服务器中的 PERC x/i 适配器不配备 BBU。

- 1 对安装了 PERC x/i 控制器的系统执行从容关闭。
- 2 断开系统与电源插座的连接，并卸下系统护盖。



注：有关卸下和重新安装系统护盖的详情，请参阅随系统附带的《硬件用户手册》。

- 3 找到系统中的 PERC x/i 控制器，通过外观来检查控制器，以确定控制器上的已占用高速缓存 LED 是否亮起。如果 LED 已亮起，则装回系统护盖，将系统重新连接至电源插座，打开系统，然后重复步骤 1 和 2。





警告：如果运行系统时未安装系统护盖，则可能会由于冷却不当而导致设备损坏。


- 4 找到控制器上内存模块旁边的电池电缆连接，然后断开电池连接。
有关从系统机箱中卸下 BBU 的信息，请参阅随系统附带的《硬件用户手册》。PERC x/i 控制器的 TBBU 的位置随系统不同而异。

将 DIMM 和 BBU 安装到 PERC x/i 控制器


本节介绍在 PERC x/i 适配器或 PERC x/i 集成控制器上安装 TBBU 的信息。


 **警告：**只有经过培训的维修技术人员才有权卸下系统护盖并拆装系统内部的任何组件。在执行任何过程之前，请参阅《产品信息指南》，获取有关安全预防措施、拆装计算机内部组件以及防止静电释放的完整信息。


 **注意：**DIMM 内存模块可能不可拆卸，具体视您的 PERC 卡是第几代而定。PERC 5/i 卡包括一个可拆卸的 DIMM 模块。PERC 6/i 卡拥有一个不可拆卸的集成 DIMM 模块。请勿在 PERC 6/i 适配器或集成的控制器卡上尝试以下过程。

 **注：**首次使用 PERC x 电池之前，请先充电，以获得最佳性能。


- 1 打开 DIMM 和 BBU 的包装，并遵循所有防静电过程。

 **注：**所有工作均必须在无静电释放 (ESD) 的工作站上执行，以满足 EIA-625-“处理静电释放敏感设备需求”的要求。执行所有操作时，必须遵循 IPC-A-610 最新版本 ESD 建议的方法。

 **注：**请在无静电的工作区内处理所有的敏感组件。如果可能，请使用防静电的地板垫和工作台垫。

 **注：**打开包装箱取出静电敏感组件时，如果不准备安装此组件，请不要将其从防静电包装材料中取出。打开防静电包装之前，应确保已导去身上的静电。

- 2 找到控制器上内存模块旁边的电池电缆连接，然后连接电池。

 **注：**安装内存模块时，请勿过度用力挤压内存模块上的连接器。

- 3 对齐内存模块，以便内存模块的键槽边缘正好放在控制器内存插槽上的物理分隔架顶部。这样可以避免损坏内存模块。

- 4 在控制器的内存插槽上插入内存模块，并在内存模块两侧或中间施加平稳向下的力，直至固定夹插入内存模块任一侧上分配的插槽中。

Dell™ PowerEdge™ 可擴充
RAID 控制器 x

**拆裝 PERC 控制器的
電池和電池電纜**



註、注意及警告



註：「註」會提供您更有效使用電腦的重要資訊。



注意：「注意」表示可能會損壞硬體或導致資料遺失，並告訴您如何避免此類問題的發生。



警告：「警告」指出財產、人身可能遭受損害甚或造成死亡。

本文件中的資訊如有變更，恕不另行通知。
© 2007 Dell Inc. 版權所有，翻印必究。

未經 Dell Inc. 的書面許可，不得以任何形式進行複製。

本文所用商標：Dell、DELL 標誌、Dell Precision 和 PowerEdge 是 Dell Inc. 的商標。

本文件所述及之其他商標或品牌名稱，均各自分屬其商標或產品名稱之申請者或擁有者所擁有。Dell Inc. 對本公司之外的商標和產品名稱不擁有任何專有權。

型號 UCP-50 和 UCP-51

2007 年 11 月

P/N XR434


Rev. A00


拆裝 PERC 控制器的電池和電池電纜

本文件提供如何在 Dell™ PowerEdge™ 可擴充 RAID 控制器 (PERC) 上拆裝電池、電池電纜和記憶體模組的資訊。

- 請參閱第 28 頁以瞭解 PERC x/E 電池拆裝程序，其中 x 表示第幾代的卡 (即 5、6 等)
- 請參閱第 34 頁以瞭解 PERC x/i 電池拆裝程序

重要安全說明資訊

 **警告：**如果有任何安裝動作需要將系統機殼卸下，只能由專業的服務人員來執行。請參閱系統隨附的*產品資訊指南*以獲得有關安全措施、在電腦內部工作以及避免靜電釋放的完整資訊。

 **註：**請參閱系統隨附的*產品資訊指南*以獲得有關美國銷售的條款與條件、有限擔保與退貨、出口規定、軟體授權合約、安全說明、環境與人類工程的指示、管制通告以及回收資訊。

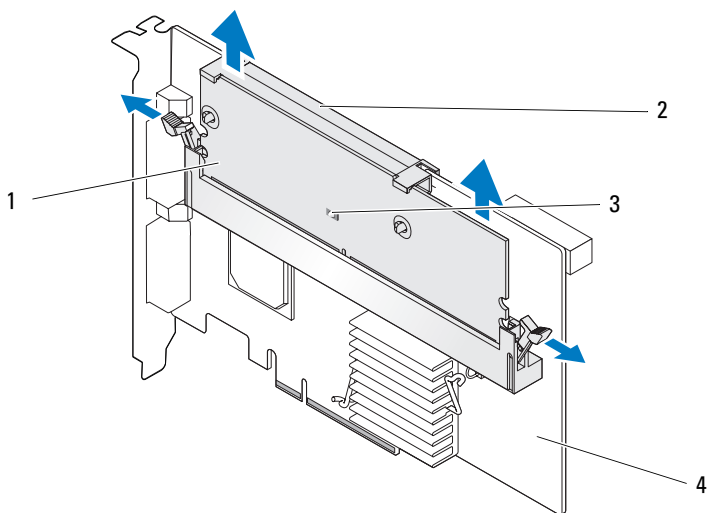
從 PERC x/E 配接卡上卸下移動式電池備援單元 (TBBU)

本節說明從系統中安裝的 PERC x/E 配接卡上卸下 TBBU 的程序。

註： PERC x/E 配接卡上的 TBBU 由一塊雙排直插式記憶體模組 (DIMM) 和一個電池備援單元 (BBU) 構成。

- 1 正常關閉安裝有 PERC x/E 配接卡的系統以及任何連接的儲存裝置，然後從系統中卸下 x/E 配接卡。請參閱《Dell PowerEdge 可擴充 RAID 控制器 x/i 和 x/E 使用者指南》以獲得更多資訊。
- 2 目測檢查控制器，看記憶體模組上的已佔用快取 LED 是否亮起。請參閱圖 1。如果 LED 已亮起，則將控制器重新插入系統中，裝回系統機殼，將系統重新連接至電源插座，開啟系統，然後重複步驟 1。

圖 1. PERC x/E 配接卡已佔用快取記憶體 LED 位置



- | | |
|----------------|----------------|
| 1 記憶體模組 | 2 電池 |
| 3 已佔用快取記憶體 LED | 4 PERC x/E 配接卡 |

警告： 不安裝系統機殼而執行系統，可能會由於冷卻不當而損壞裝置。


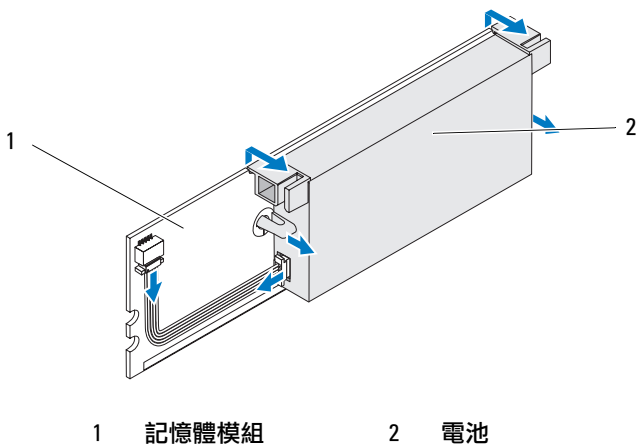

- 3 按下記憶體模組控制器兩側的舌片並將 TBBU 提離配接卡，以從 PERC x/E 配接卡中卸下 TBBU 總成。
 - 4 從記憶體模組上拔下電池電纜。
-  **註：**卸下記憶體模組時，請勿過度用力按壓記憶體模組上的連接器。
- 5 向外按壓插入記憶體模組中的電池固定夾並將電池旋出記憶體模組，以從記憶體模組中卸下電池。請參閱圖 2。

圖 2. 卸下 BBU



安裝新的 BBU 和電池電纜

本節說明如何將 BBU 和電池電纜安裝到 PERC x/E 配接卡的 DIMM 中。

 **警告：**只有受過專業訓練的服務技術人員才能卸除系統機殼並拆裝任何內部元件。在執行任何程序之前，請參閱 *產品資訊指南* 以獲得有關安全措施、在電腦內部工作以及避免靜電釋放的完整資訊。

- 1 開啟 BBU 包裝，並遵循所有防靜電程序。



註：所有工作均必須在無靜電釋放 (ESD) 的工作站上執行，以滿足 EIA-625-「處理靜電釋放敏感裝置需求」的要求。執行所有操作時，必須遵循 IPC-A-610 最新版本 ESD 建議的方法。



註：請在無靜電的工作區域處理所有的敏感元件。如有可能，請使用防靜電地板墊和工作檯墊。



註：打開對靜電敏感之元件的運送紙箱時，在您已準備好將它安裝到電腦內之前，請勿將元件從防靜電的包裝材料中取出。打開抗靜電包裝前，請確定已釋放出您體內的靜電。

- 2 從控制器中卸下記憶體模組後，將電池電纜（紅、白、黃和綠線）的一端插入記憶體模組上的連接器，將另一端插入電池上的連接器。

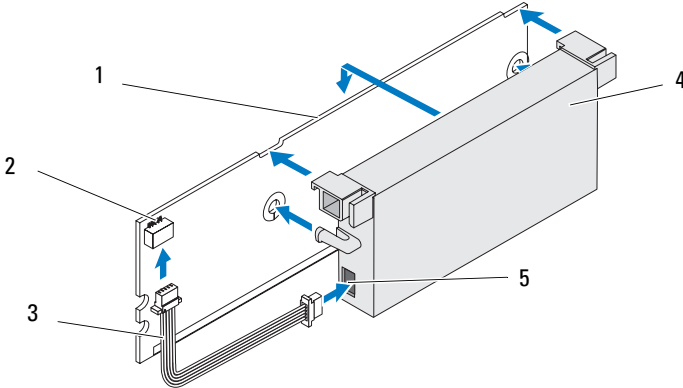


註：安裝記憶體模組時，請勿過度用力按壓記憶體模組上的連接器。

- 3 將電池的頂邊放在記憶體模組的頂邊之上，以便電池一側的支臂可裝入記憶體模組上的插槽中。請參閱圖 3。

警告：靜電釋放可能會損壞敏感元件。處理元件時，請務必遵循正確的靜電防護措施。在未正確接地的情況下觸摸元件可能會損壞設備。

圖 3. 安裝 BBU 和電池電纜





- | | | |
|---------|--------------|--------|
| 1 記憶體模組 | 2 記憶體模組上的連接器 | 3 電池電纜 |
| 4 電池 | 5 電池上的連接器 | |

- 4 將 x/E 配接卡放置在平坦、整潔、無靜電的平面上。
- 5 在控制器記憶體插槽中安裝記憶體模組，如標準 DIMM。請參閱「在 PERC x/E 配接卡上安裝 TBBU」以獲得更多資訊。
安裝記憶體模組，應使模組與主機板平齊，以便記憶體模組在安裝時與主機板平行。
- 6 將記憶體模組穩固地按入記憶體插槽中。將記憶體模組按入插槽時，BBU 會卡入到位，這表示控制器已穩固地插入插槽中，同時插槽上的支臂也插入槽口中，以確保固定記憶體模組。


在 PERC x/E 配接卡上安裝 TBBU


本節說明在 PERC x/E 配接卡上安裝記憶體模組的程序。

 **警告：**只有受過專業訓練的服務技術人員才能卸除系統機殼並拆裝任何內部元件。在執行任何程序之前，請參閱 *產品資訊指南* 以獲得有關安全措施、在電腦內部工作以及避免靜電釋放的完整資訊。

 **註：**PERC x/E 配接卡上的 TBBU 由一塊雙排直插式記憶體模組 (DIMM) 和一個電池備援單元 (BBU) 構成。

- 1 在防靜電環境中卸下記憶體模組。

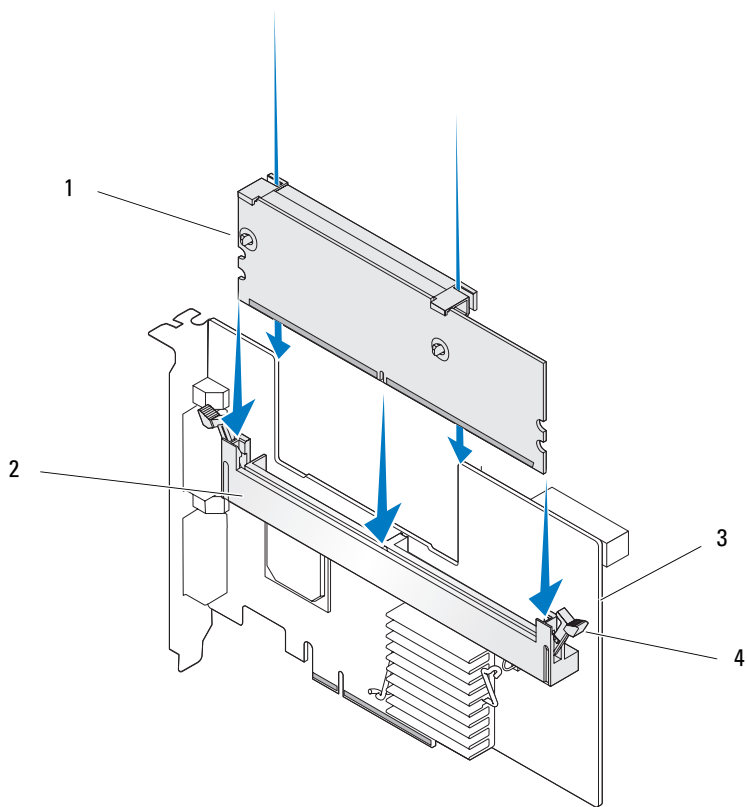
 **註：**打開對靜電敏感之元件的運送紙箱時，在您已準備好將它安裝到電腦內之前，請勿將元件從防靜電的包裝材料中取出。打開抗靜電包裝前，請確定已釋放出您體內的靜電。

 **註：**請在無靜電的工作區域處理所有的敏感元件。如有可能，請使用防靜電地板墊和工作檯墊。

 **註：**請勿觸摸鍍金導線，也不要彎曲記憶體模組。

- 2 對齊記憶體模組，以便記憶體模組的鍵槽邊緣正好放在控制器記憶體插槽上物理隔板的頂部。這樣可以避免損壞記憶體模組。
- 3 在控制器的記憶體插槽上插入記憶體模組，並在記憶體模組兩側或中間平穩向下按壓，直至固定夾插入記憶體模組任一側的指定插槽中。圖 4 顯示了如何在 PERC x/E 配接卡上安裝記憶體模組。


圖 4. 安裝雙排直插式記憶體模組




- | | | | |
|---|-------------|---|-------|
| 1 | 記憶體模組 | 2 | 記憶體插槽 |
| 3 | PERC ME 配接卡 | 4 | 固定夾 |


從 PERC *x/i* 控制器中卸下 DIMM

本節說明從系統中安裝的 PERC *x/i* 配接卡或整合式 PERC *x/i* 控制器上卸下記憶體模組的程序。

 **警告：**只有受過專業訓練的服務技術人員才能卸除系統機殼並拆裝任何內部元件。在執行任何程序之前，請參閱 *產品資訊指南* 以獲得有關安全措施、在電腦內部工作以及避免靜電釋放的完整資訊。

 **注意：**根據您是第幾代的 PERC 卡，DIMM 記憶體模組或許可能無法卸下。PERC 5/i 卡包括可卸下的 DIMM 模組。PERC 6/i 卡為整合式 DIMM 模組，將無法卸下。在 PERC 6/i 配接卡或整合式控制器卡上，請勿嘗試以下程序。

- 1 正常關閉安裝有 PERC *x/i* 控制器的系統，然後從系統中卸下 PERC *x/i* 控制器。請參閱《*Dell PowerEdge 可擴充 RAID 控制器 *x/i* 和 *x/E* 使用者指南*》以獲得更多資訊。

 **警告：**不安裝系統機殼而執行系統，可能會由於冷卻不當而損壞裝置。

- 2 按下記憶體模組連接器兩邊的舌片並從控制器中提起記憶體模組，以卸下記憶體模組。

 **註：**卸下記憶體模組時，請勿過度用力按壓記憶體模組上的連接器。

 **註：**PERC *x/i* 整合式控制器的位置因系統而異。請參閱系統隨附的《*硬體使用者手冊*》以獲得有關 PERC *x/i* 整合式控制器位置的具體資訊。

從 PERC x/i 控制器中卸下 BBU

本節說明從系統中安裝的 PERC x/i 配接卡或整合式 PERC x/i 整合控制器上卸下 BBU 的程序。



警告：只有受過專業訓練的服務技術人員才能卸除系統機殼並拆裝任何內部元件。在執行任何程序之前，請參閱 *產品資訊指南* 以獲得有關安全措施、在電腦內部工作以及避免靜電釋放的完整資訊。



註：Dell Precision™ 工作站或 PowerEdge SC 伺服器中安裝的 PERC x/i 配接卡沒有 BBU。

- 1 正常關閉安裝有 PERC x/i 控制器的系統。
- 2 從電源插座拔下系統的電源插頭，然後卸下系統機殼。



註：請參閱系統隨附的《*硬體使用者手冊*》以獲得有關卸下和重新安裝系統機殼的更多資訊。

- 3 找到系統中的 PERC x/i 控制器，觀察控制器上的已佔用快取 LED 是否亮起。如果 LED 已亮起，則裝回系統機殼，將系統重新連接至電源插座，開啟系統，然後重複步驟 1 和 2。





警告：不安裝系統機殼而執行系統，可能會由於冷卻不當而損壞裝置。


- 4 找到控制器上記憶體模組旁邊的電池電纜連接，然後斷開電池連接。請參閱系統隨附的《*硬體使用者手冊*》以獲得有關從系統機箱中卸下 BBU 的資訊。PERC x/i 整合式控制器的 TBBU 位置因系統而異。

將 DIMM 和 BBU 安裝至 PERC x/i 控制器


本節說明在 PERC x/i 配接卡或 PERC x/i 整合式控制器上安裝 TBBU 的資訊。


 **警告：**只有受過專業訓練的服務技術人員才能卸除系統機殼並拆裝任何內部元件。在執行任何程序之前，請參閱 *產品資訊指南* 以獲得有關安全措施、在電腦內部工作以及避免靜電釋放的完整資訊。


 **注意：**根據您是第幾代的 PERC 卡，DIMM 記憶體模組或許可能無法卸下。PERC 5/i 卡包括可卸下的 DIMM 模組。PERC 6/i 卡為整合式 DIMM 模組，將無法卸下。在 PERC 6/i 配接卡或整合式控制器卡上，請勿嘗試以下程序。

 **註：**第一次使用 PERC x 電池之前，請先充電，以獲得最佳效能。


- 1 開啟 DIMM 和 BBU 包裝，並遵循所有防靜電程序。

 **註：**所有工作均必須在無靜電釋放 (ESD) 的工作站上執行，以滿足 EIA-625-「處理靜電釋放敏感裝置需求」的要求。執行所有操作時，必須遵循 IPC-A-610 最新版本 ESD 建議的方法。

 **註：**請在無靜電的工作區域處理所有的敏感元件。如有可能，請使用防靜電地板墊和工作檯墊。

 **註：**打開對靜電敏感之元件的運送紙箱時，在您已準備好將它安裝到電腦內之前，請勿將元件從防靜電的包裝材料中取出。打開抗靜電包裝前，請確定已釋放出您體內的靜電。

- 2 找到控制器上記憶體模組旁邊的電池電纜連接，然後連接電池。

 **註：**安裝記憶體模組時，請勿過度用力按壓記憶體模組上的連接器。

- 3 對齊記憶體模組，以便記憶體模組的鍵槽邊緣正好放在控制器記憶體插槽上物理隔板的頂部。這樣可以避免損壞記憶體模組。

- 4 在控制器的記憶體插槽上插入記憶體模組，並在記憶體模組兩側或中間平穩向下按壓，直至固定夾插入記憶體模組任一側的指定插槽中。

Contrôleurs Dell™ PERC x

Retrait et installation de la batterie et de son câble sur les contrôleurs PERC



Remarques, avis et précautions



REMARQUE : Une REMARQUE indique des informations importantes qui peuvent vous aider à mieux utiliser votre ordinateur.



AVIS : Un AVIS vous avertit d'un dommage ou d'une perte de données potentiels et vous indique comment éviter ce problème.



PRÉCAUTION : Une PRÉCAUTION indique un risque potentiel d'endommagement du matériel, de blessure corporelle ou de mort.

Les informations contenues dans ce document peuvent être modifiées sans préavis.

© 2007 Dell Inc. Tous droits réservés.

La reproduction de ce document de quelque manière que ce soit sans l'autorisation écrite de Dell Inc. est strictement interdite.

Marques utilisées dans ce document : *Dell*, le logo *DELL*, *Dell Precision* et *PowerEdge* sont des marques de Dell Inc.

D'autres marques et noms de marques peuvent être utilisés dans ce document pour faire référence aux entités se réclamant de ces marques et de ces noms ou à leurs produits. Dell Inc. dénie tout intérêt propriétaire vis-à-vis des marques et des noms de marque autres que les siens.

Modèles UCP-50 et UCP-51

Novembre 2007

N/P XR434

Rév. A00

Retrait et installation de la batterie et de son câble sur les contrôleurs PERC

Ce document contient des informations concernant l'installation et le retrait de la batterie, de son câble et de la barrette de mémoire sur un contrôleur Dell™ PERC (PowerEdge™ Expandable RAID Controller).

- Voir page 40 pour obtenir les instructions de retrait et d'installation de la batterie sur les contrôleurs PERC x/E, où x représente la génération de la carte (5, 6, etc.).
- Voir page 47 pour obtenir les instructions de retrait et d'installation de la batterie sur les contrôleurs PERC x/i.

Informations importantes concernant la sécurité



PRÉCAUTION : Toute procédure d'installation nécessitant le retrait du capot du système doit être effectuée uniquement par des techniciens de maintenance qualifiés. Consultez le document *Product Information Guide* (Guide d'informations sur le produit) fourni avec le système pour obtenir des informations détaillées sur les consignes de sécurité, les interventions dans l'ordinateur et la protection contre les décharges électrostatiques.



REMARQUE : Reportez-vous au document *Product Information Guide* (Guide d'informations sur le produit) fourni avec le système pour obtenir des informations complètes sur les sujets suivants : termes et conditions de vente (États-Unis uniquement), garanties limitées et règles de retour, réglementations pour l'exportation, contrat de licence des logiciels, consignes de sécurité, instructions relatives à l'environnement et à l'ergonomie, notes relatives à la réglementation et informations concernant le recyclage.

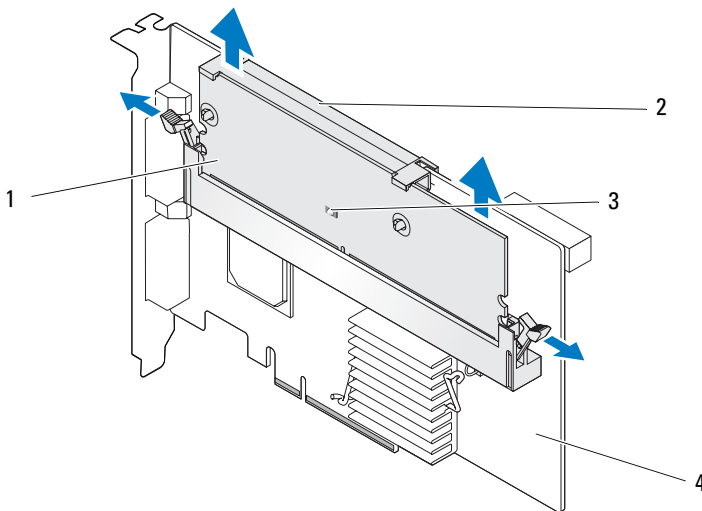
Retrait de la TBBU d'une carte PERC x/E

Cette section indique comment retirer la TBBU (Transportable Battery Backup Unit, unité de batterie de sauvegarde transportable) d'une carte PERC x/E installée dans un système.

REMARQUE : La TBBU connectée à une carte PERC x/E se compose d'une barrette DIMM et d'une BBU (Battery Backup Unit, unité de batterie de sauvegarde).

- 1 Arrêtez (à l'aide de l'option appropriée du système d'exploitation) le système contenant la carte PERC x/E, ainsi que toutes les baies de stockage connectées, puis retirez la carte PERC x/E du système. Pour plus d'informations, consultez le document *Dell PowerEdge Expandable RAID Controller x/i and x/E User's Guide* (Contrôleur Dell PERC x/i et x/E - Guide d'utilisation).
- 2 Inspectez la carte et vérifiez si le voyant de la barrette de mémoire indiquant que la mémoire cache contient des fichiers en attente d'écriture ("dirty cache") est allumé. Voir figure 1. Si le voyant est allumé, réinsérez la carte dans le système, remettez le capot en place, rebranchez le système, mettez-le sous tension puis reprenez à l'étape 1.

Figure 1. Emplacement du voyant "dirty cache" sur l'adaptateur PERC x/E



- | | | | |
|---|----------------------------|---|----------------|
| 1 | Barrette de mémoire | 2 | Batterie |
| 3 | Voyant de la mémoire cache | 4 | Carte PERC x/E |

⚠ PRÉCAUTION : Vous ne devez pas faire fonctionner l'ordinateur lorsque le capot est retiré. Cela risquerait de provoquer une surchauffe et d'endommager le système.

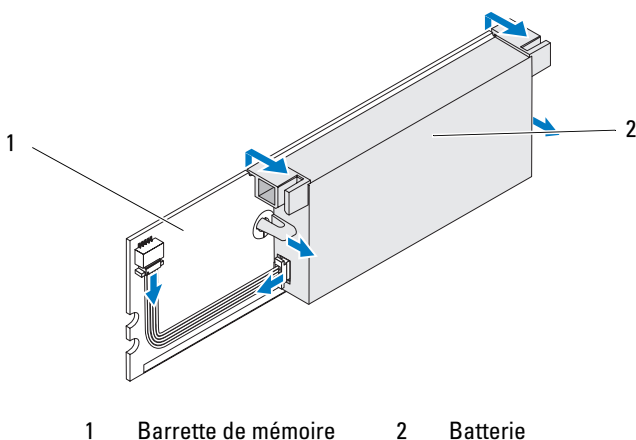
3 Pour retirer la TBBU de la carte PERC x/E, appuyez sur les pattes situées à chaque extrémité du connecteur de la barrette de mémoire et soulevez la TBBU.

4 Déconnectez le câble de la batterie de la barrette de mémoire.

✍ REMARQUE : N'appuyez pas trop fort sur le connecteur lorsque vous retirez la barrette de mémoire.


5 Pour retirer la batterie de la barrette de mémoire, appuyez sur les clips de fixation et faites pivoter la batterie. Voir figure 2.

Figure 2. Retrait de la BBU





Installation d'une nouvelle BBU et du câble de la batterie


Cette section décrit l'installation d'une BBU et du câble de la batterie sur la barrette DIMM d'une carte PERC x/E.

 **PRÉCAUTION : Seuls les techniciens de maintenance qualifiés sont habilités à retirer le capot du système pour accéder aux composants internes. Avant de commencer toute intervention, consultez le document *Product Information Guide* (Guide d'informations sur le produit) pour obtenir des informations complètes sur les consignes de sécurité, les interventions dans l'ordinateur et la protection contre les décharges électrostatiques.**


- 1 Déballez la BBU et suivez toutes les procédures requises pour éliminer l'électricité statique.

 **REMARQUE :** La conformité à la norme EIA-625 relative à la manipulation des appareils sensibles aux décharges électrostatiques exige que le poste de travail soit protégé contre les décharges électrostatiques (ESD). Toutes les procédures doivent être conformes aux recommandations les plus récentes de la norme IPC-A-610 concernant les décharges électrostatiques.

 **REMARQUE :** Manipulez les composants sensibles dans une zone protégée contre l'électricité statique. Dans la mesure du possible, utilisez des tapis de sol et des revêtements antistatiques pour le plan de travail.

 **REMARQUE :** Lorsque vous sortez un composant sensible à l'électricité statique de son carton, ne le retirez de l'emballage antistatique que si vous êtes prêt à l'installer. Juste avant de retirer l'emballage antistatique, déchargez bien l'électricité statique accumulée dans votre organisme.

- 2 Une fois la barrette de mémoire retirée de la carte, insérez l'une des extrémités du câble de la batterie (fils rouge, blanc, jaune et vert) dans le connecteur de la barrette et l'autre extrémité dans le connecteur de la batterie.

 **REMARQUE :** N'appuyez pas trop fort sur le connecteur lorsque vous installez la barrette de mémoire.

- 3 Placez le bord supérieur de la batterie par-dessus celui de la barrette de mémoire, de sorte que les pattes latérales de la batterie s'emboîtent dans les trous correspondants situés sur la barrette de mémoire. Voir figure 3.


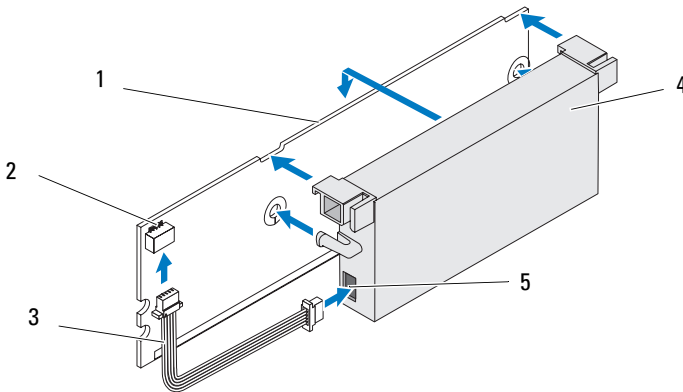
 **PRÉCAUTION : Les décharges électrostatiques peuvent endommager les composants sensibles. Utilisez toujours une protection antistatique lorsque vous manipulez des composants. Si vous touchez des composants sans être relié à la terre, vous risquez de les endommager.**

Figure 3. Installation d'une nouvelle BBU et du câble de la batterie





- | | | |
|-----------------------|---|------------------------|
| 1 Barrette de mémoire | 2 Connecteur sur la barrette de mémoire | 3 Câble de la batterie |
| 4 Batterie | 5 Connecteur sur la batterie | |

- 4 Placez la carte PERC x/E sur une surface propre et stable sans électricité statique.
- 5 Montez la barrette de mémoire sur le logement correspondant du contrôleur, de la même façon qu'une barrette DIMM standard. Pour plus d'informations, voir "Installation de la TBBU sur une carte PERC x/E".
La barrette de mémoire étant montée au même niveau que la carte, elle est parallèle à cette dernière une fois installée.
- 6 Appuyez fermement sur la barrette pour l'enclencher dans le support de mémoire. Au cours de cette opération, vous devez entendre un déclic indiquant que la BBU est en place et que le contrôleur est correctement emboîté. Les pattes du support s'enclenchent dans les trous correspondants et maintiennent la barrette de mémoire en place.


Installation de la TBBU sur une carte PERC x/E


Cette section décrit l'installation de la barrette de mémoire sur une carte PERC x/E.


 **PRÉCAUTION** : Seuls les techniciens de maintenance qualifiés sont habilités à retirer le capot du système pour accéder aux composants internes. Avant de commencer toute intervention, consultez le document *Product Information Guide* (Guide d'informations sur le produit) pour obtenir des informations complètes sur les consignes de sécurité, les interventions dans l'ordinateur et la protection contre les décharges électrostatiques.

 **REMARQUE** : La TBBU connectée à une carte PERC x/E se compose d'une barrette DIMM et d'une BBU.

1 Retirez la barrette de mémoire dans un environnement antistatique.

 **REMARQUE** : Lorsque vous sortez un composant sensible à l'électricité statique de son carton, ne le retirez de l'emballage antistatique que si vous êtes prêt à l'installer. Juste avant de retirer l'emballage antistatique, déchargez bien l'électricité statique accumulée dans votre organisme.

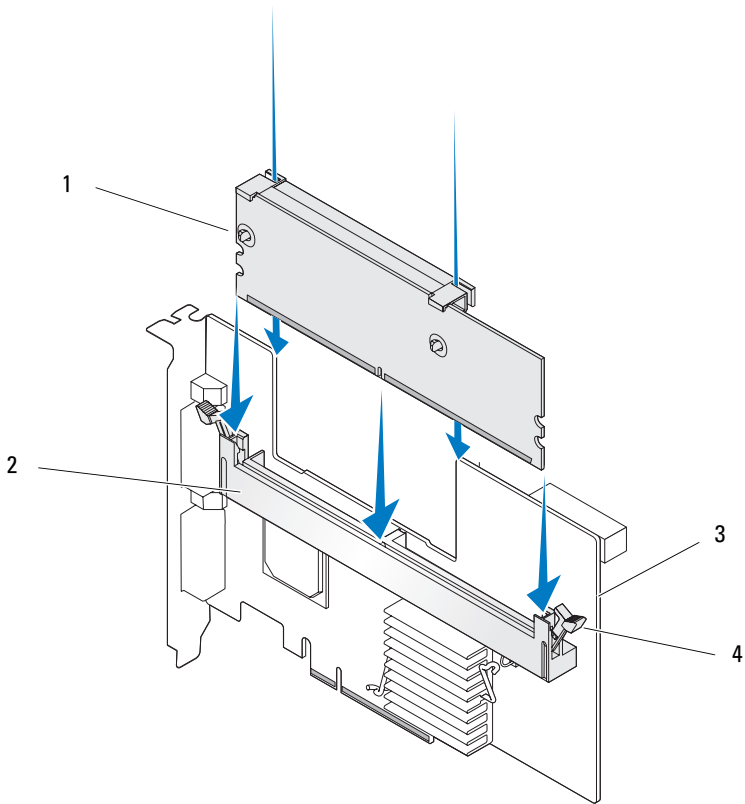
 **REMARQUE** : Manipulez les composants sensibles dans une zone protégée contre l'électricité statique. Dans la mesure du possible, utilisez des tapis de sol et des revêtements antistatiques pour le plan de travail.

 **REMARQUE** : Ne touchez jamais les fils dorés et ne pliez pas la barrette de mémoire.

2 Positionnez la barrette de mémoire de sorte que son encoche soit placée exactement au-dessus du séparateur situé sur le support mémoire du contrôleur. Cela évite d'endommager la barrette.

3 Insérez la barrette dans le support mémoire du contrôleur et enfoncez-la en appuyant sur les deux extrémités ou sur le milieu de la barrette, jusqu'à ce que les clips de fixation s'enclenchent dans les encoches situées des deux côtés de la barrette. La figure 4 montre comment installer une barrette de mémoire sur une carte PERC x/E.


Figure 4. Installation d'une barrette DIMM




- | | | | |
|---|---------------------|---|------------------|
| 1 | Barrette de mémoire | 2 | Support mémoire |
| 3 | Carte PERC xE | 4 | Clip de fixation |

Retrait de la barrette DIMM d'un contrôleur PERC x/i

Cette section indique comment retirer la barrette de mémoire d'une carte PERC x/i ou d'un contrôleur PERC x/i intégré installé dans un système.


 **PRÉCAUTION** : Seuls les techniciens de maintenance qualifiés sont habilités à retirer le capot du système pour accéder aux composants internes. Avant de commencer toute intervention, consultez le document *Product Information Guide* (Guide d'informations sur le produit) pour obtenir des informations complètes sur les consignes de sécurité, les interventions dans l'ordinateur et la protection contre les décharges électrostatiques.


 **AVIS** : Selon la génération de votre carte PERC, il est possible que la barrette DIMM ne soit pas amovible. Les cartes PERC 5/i incluent une barrette DIMM amovible. Les cartes PERC 6/i sont équipées d'une barrette DIMM intégrée qui ne peut pas être retirée. N'essayez pas d'appliquer la procédure suivante à une carte PERC 6/i ou à une carte contrôleur intégrée.

- 1 Arrêtez (à l'aide de l'option appropriée du système d'exploitation) le système contenant le contrôleur PERC x/i et retirez ce dernier du système. Pour plus d'informations, consultez le document *Dell PowerEdge Expandable RAID Controller x/i and x/E User's Guide* (Contrôleur Dell PERC x/i et x/E - Guide d'utilisation).

 **PRÉCAUTION** : Vous ne devez pas faire fonctionner l'ordinateur lorsque le capot est retiré. Cela risquerait de provoquer une surchauffe et d'endommager le système.

- 2 Pour retirer la barrette de mémoire, appuyez sur les pattes situées à chaque extrémité du connecteur correspondant, puis soulevez la barrette pour la retirer du contrôleur.

 **REMARQUE** : N'appuyez pas trop fort sur le connecteur lorsque vous retirez la barrette de mémoire.

 **REMARQUE** : L'emplacement du contrôleur PERC x/i intégré varie d'un système à l'autre. Consultez le document *Hardware Owner's Manual* (Manuel du propriétaire) fourni avec le système pour identifier cet emplacement.

Retrait de la BBU d'un contrôleur PERC x/i

Cette section indique comment retirer la BBU d'une carte PERC x/i ou d'un contrôleur PERC x/i intégré installé dans un système.



PRÉCAUTION : Seuls les techniciens de maintenance qualifiés sont habilités à retirer le capot du système pour accéder aux composants internes. Avant de commencer toute intervention, consultez le document *Product Information Guide* (Guide d'informations sur le produit) pour obtenir des informations complètes sur les consignes de sécurité, les interventions dans l'ordinateur et la protection contre les décharges électrostatiques.



REMARQUE : Les cartes PERC x/i installées dans des stations de travail Dell Precision™ ou des serveurs PowerEdge SC ne sont pas équipées d'une BBU.

- 1 Arrêtez (à l'aide de l'option appropriée du système d'exploitation) le système contenant le contrôleur PERC x/i.
- 2 Débranchez le système de la prise secteur, puis retirez le capot.



REMARQUE : Consultez le document *Hardware Owner's Manual* (Manuel du propriétaire) fourni avec le système pour plus d'informations sur le retrait et la réinstallation du capot.

- 3 Recherchez le contrôleur PERC x/i installé sur le système et inspectez-le pour vérifier si le voyant indiquant que la mémoire cache contient des fichiers en attente d'écriture ("dirty cache") est allumé. Si tel est le cas, remettez le capot en place, rebranchez le système sur le secteur, mettez-le sous tension puis recommencez les étapes 1 et 2.




PRÉCAUTION : L'utilisation du système sans son capot risque de provoquer des dommages dus à un refroidissement insuffisant.


- 4 Recherchez le connecteur du câble de la batterie (près de la barrette de mémoire du contrôleur), puis déconnectez la batterie.


Consultez le document *Hardware Owner's Manual* (Manuel du propriétaire) fourni avec le système pour savoir comment retirer la BBU du châssis du système. L'emplacement de la TBBU du contrôleur PERC x/i varie d'un système à l'autre.

Installation de la barrette DIMM et de la BBU sur un contrôleur PERC x/i


Cette section décrit l'installation de la TBBU sur une carte PERC x/i ou un contrôleur PERC x/i intégré.


 **PRÉCAUTION** : Seuls les techniciens de maintenance qualifiés sont habilités à retirer le capot du système pour accéder aux composants internes. Avant de commencer toute intervention, consultez le document *Product Information Guide* (Guide d'informations sur le produit) pour obtenir des informations complètes sur les consignes de sécurité, les interventions dans l'ordinateur et la protection contre les décharges électrostatiques.


 **AVIS** : Selon la génération de votre carte PERC, il est possible que la barrette DIMM ne soit pas amovible. Les cartes PERC 5/i incluent une barrette DIMM amovible. Les cartes PERC 6/i sont équipées d'une barrette DIMM intégrée qui ne peut pas être retirée. N'essayez pas d'appliquer la procédure suivante à une carte PERC 6/i ou à une carte contrôleur intégrée.

 **REMARQUE** : Pour optimiser le fonctionnement de la carte PERC x, chargez sa batterie avant de l'utiliser.

- 1 Déballez la barrette DIMM et la BBU ; suivez toutes les procédures requises pour éliminer l'électricité statique.

 **REMARQUE** : La conformité à la norme EIA-625 relative à la manipulation des appareils sensibles aux décharges électrostatiques exige que le poste de travail soit protégé contre les décharges électrostatiques (ESD). Toutes les procédures doivent être conformes aux recommandations les plus récentes de la norme IPC-A-610 concernant les décharges électrostatiques.

 **REMARQUE** : Manipulez les composants sensibles dans une zone protégée contre l'électricité statique. Dans la mesure du possible, utilisez des tapis de sol et des revêtements antistatiques pour le plan de travail.

 **REMARQUE** : Lorsque vous sortez un composant sensible à l'électricité statique de son carton, ne le retirez de l'emballage antistatique que si vous êtes prêt à l'installer. Juste avant de retirer l'emballage antistatique, déchargez bien l'électricité statique accumulée dans votre organisme.

- 2 Recherchez le connecteur du câble de la batterie (près de la barrette de mémoire du contrôleur), puis connectez la batterie.



REMARQUE : N'appuyez pas trop fort sur le connecteur lorsque vous installez la barrette de mémoire.

- 3 Positionnez la barrette de mémoire de sorte que son encoche soit placée exactement au-dessus du séparateur situé sur le support mémoire du contrôleur. Cela évite d'endommager la barrette.
- 4 Insérez la barrette dans le support mémoire du contrôleur et enfoncez-la en appuyant sur les deux extrémités ou sur le milieu de la barrette, jusqu'à ce que les clips de fixation s'enclenchent dans les encoches situées des deux côtés de la barrette.

Dell™ PowerEdge™
Expandable RAID Controller x

**Entfernen und Installieren
des Akkus und des
Akkukabels bei PERC-
Controllern**



Anmerkungen, Hinweise und Vorsichtshinweise



ANMERKUNG: Eine ANMERKUNG macht auf wichtige Informationen aufmerksam, die die Arbeit mit dem Computer erleichtern.



HINWEIS: Ein HINWEIS warnt vor möglichen Beschädigungen der Hardware oder vor Datenverlust und zeigt auf, wie derartige Probleme vermieden werden können.



VORSICHT: Hiermit werden Sie auf eine potentiell gefährliche Situation hingewiesen, die zu Sachschäden, Verletzungen oder zum Tod führen könnte.

Irrtümer und technische Änderungen vorbehalten.

© 2007 Dell Inc. Alle Rechte vorbehalten.

Die Vervielfältigung oder Wiedergabe in jeglicher Weise ohne vorherige schriftliche Genehmigung von Dell Inc. sind strengstens untersagt.

In diesem Text verwendete Marken: *Dell*, das *DELL* Logo, *Dell Precision* und *PowerEdge* sind Marken von Dell Inc.

Alle anderen in dieser Dokumentation genannten Marken und Handelsbezeichnungen sind Eigentum der jeweiligen Hersteller und Firmen. Dell Inc. erhebt keinen Anspruch auf Besitzrechte an Marken und Handelsbezeichnungen mit Ausnahme der eigenen.

Modelle UCP-50 und UCP-51

November 2007

Teilenr. XR434

Rev. A00

Entfernen und Installieren des Akkus und des Akkukabels bei PERC-Controllern

Dieses Dokument enthält Informationen über das Entfernen und Installieren des Akkus, des Akkukabels und des Speichermoduls bei PERC-Controllern (Dell™ PowerEdge™ Expandable RAID Controllern).

- Auf Seite 54 finden Sie die Vorgehensweisen für das Entfernen und Installieren des Akkus bei PERC *x*/E-Controllern (*x* steht für die Kartengeneration, d. h. 5, 6 usw.).
- Auf Seite 60 finden Sie die Vorgehensweisen für das Entfernen und Installieren des Akkus bei PERC *x*/i-Controllern.

Wichtige Sicherheitshinweise



VORSICHT: Alle Installationsvorgänge, bei denen die Systemabdeckung entfernt werden muss, sind ausschließlich von qualifizierten Servicetechnikern durchzuführen. Ausführliche Informationen zu den Sicherheitsvorkehrungen, über das Arbeiten im Innern des Computers und zum Schutz vor elektrischer Entladung finden Sie im mitgelieferten *Produktinformationshandbuch*.



ANMERKUNG: Ausführliche Informationen über Verkaufsbedingungen, eingeschränkte Garantien und Rücksendungen, Exportbestimmungen, Software-Lizenzvereinbarungen, Sicherheit, Umwelt und Ergonomie, Betriebsbestimmungen und Recycling finden Sie im mitgelieferten *Produktinformationshandbuch*.

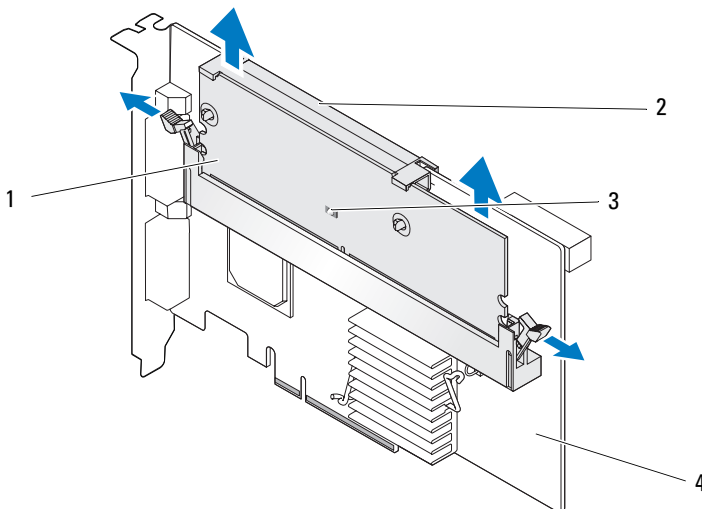
Entfernen der Akkubaugruppe (TBBU) von einem PERC x/E-Adapter

In diesem Abschnitt ist beschrieben, wie die Akkubaugruppe von einem im System installierten PERC x/E-Adapter entfernt wird.

ANMERKUNG: Die Akkubaugruppe am PERC x/E-Adapter besteht aus einem DIMM-Speichermodul und dem eigentlichen Pufferakku.

- 1 Fahren Sie das System mit dem installierten PERC x/E-Adapter sowie angeschlossene Speichergeräte normal herunter, und entfernen Sie den PERC x/E-Adapter aus dem System. Weitere Informationen erhalten Sie im *Benutzerhandbuch für Dell PowerEdge Expandable RAID Controller x/i und x/E*.
- 2 Überprüfen Sie den Controller visuell und stellen Sie fest, ob die Dirty-Cache-LED am Speichermodul leuchtet. Siehe Abbildung 1. Wenn die LED leuchtet, setzen Sie den Controller wieder im System ein und setzen Sie die Systemabdeckung auf. Verbinden Sie das System mit dem Netzstrom, schalten Sie das System ein und wiederholen Sie Schritt 1.

Abbildung 1. Position der Dirty-Cache-LED am PERC x/E-Adapter



- | | | | |
|---|-----------------|---|------------------|
| 1 | Speichermodul | 2 | Batterie |
| 3 | Dirty-Cache-LED | 4 | PERC x/E-Adapter |

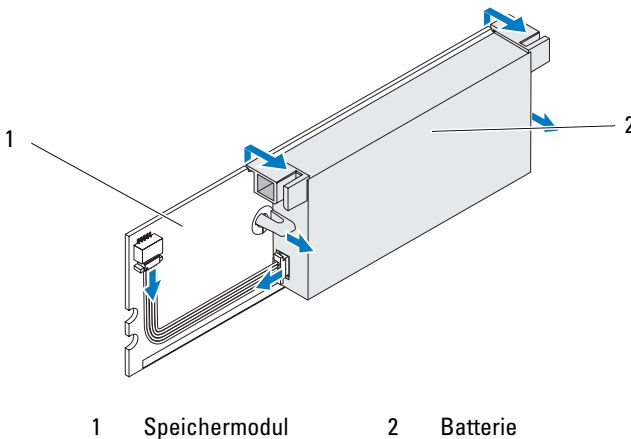
⚠ VORSICHT: Beim Betrieb des Systems ohne aufgesetzte Systemabdeckung kann es zu Schäden aufgrund unzureichender Kühlung kommen.

- 3 Entfernen Sie die Akkubaugruppe vom PERC x/E-Adapter, indem Sie die Klammern auf beiden Seiten des Speichermodulsockels lösen und die Akkubaugruppe vom Adapter abheben.
- 4 Trennen Sie das Akkukabel vom Speichermodul.

✍ ANMERKUNG: Üben Sie beim Entfernen des Speichermoduls keinen übermäßigen Druck auf den Anschluss am Speichermodul aus.


- 5 Lösen Sie den Akku vom Speichermodul, indem Sie die in das Speichermodul eingeführten Akkuclips herausdrücken und den Akku vom Speichermodul abdrehen. Siehe Abbildung 2.

Abbildung 2. Akku entfernen





Installation des neuen Akkus und des Akkukabels


In diesem Abschnitt ist beschrieben, wie die Akkubaugruppe und das Akkukabel am DIMM-Modul eines PERC x/E-Adapters installiert werden.

 **VORSICHT:** Das Entfernen der Gehäuseabdeckung sowie die Wartung der Bauteile im Inneren des Systems darf nur von zugelassenen Servicetechnikern vorgenommen werden. Beachten Sie bei sämtlichen Vorgängen die Sicherheitsvorkehrungen und die Hinweise für das Arbeiten im Innern des Computers und zum Schutz vor elektrischer Entladung, die im *Produktinformationshandbuch* beschrieben sind.

- 1 Entnehmen Sie den Akku der Verpackung und befolgen Sie alle Vorsichtsmaßnahmen gegen statische Elektrizität.

 **ANMERKUNG:** Alle Vorgänge müssen an einem elektrostatisch abgesicherten Arbeitsplatz durchgeführt werden, um die Anforderungen nach EIA-625 zu erfüllen („Requirements For Handling Electrostatic Discharge Sensitive Devices“). Alle Vorgänge müssen nach den aktuellen IPC-A-610-Empfehlungen für elektrostatisch abgesichertes Arbeiten durchgeführt werden.

 **ANMERKUNG:** Empfindliche Komponenten sollten ausschließlich in einer antistatischen Umgebung gehandhabt werden. Verwenden Sie nach Möglichkeit antistatische Bodenmatten und Arbeitsflächen.

 **ANMERKUNG:** Entfernen Sie beim Auspacken einer elektrostatisch empfindlichen Komponente aus dem Versandkarton erst dann die antistatische Verpackung, wenn Sie die Komponente tatsächlich installieren. Achten Sie darauf, sich unmittelbar vor dem Entfernen der antistatischen Schutzhülle zu erden und somit die statische Elektrizität aus dem Körper abzuleiten.

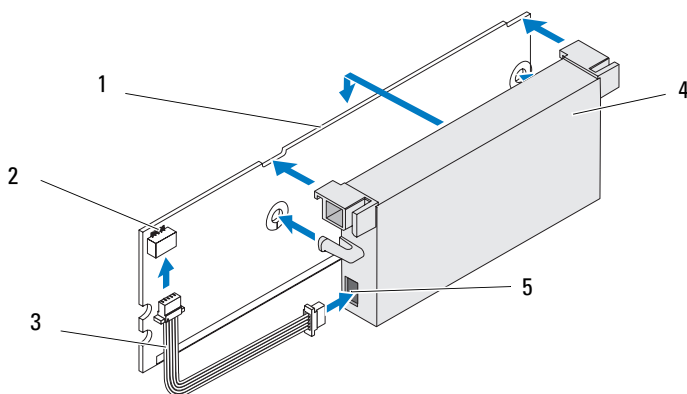
- 2 Während das Speichermodul und der Controller noch getrennt sind, verbinden Sie das eine Ende des Akkukabels (roter, weißer, gelber und grüner Draht) mit dem Anschluss am Speichermodul und das andere Ende mit dem Anschluss am Akku.

 **ANMERKUNG:** Üben Sie beim Installieren des Speichermoduls keinen übermäßigen Druck auf den Anschluss am Speichermodul aus.

- 3 Positionieren Sie den oberen Rand des Akkus über der oberen Kante des Speichermoduls, so dass die Arme auf den Seiten des Akkus in die entsprechenden Löcher im Speichermodul eingreifen. Siehe Abbildung 3.

⚠ VORSICHT: Empfindliche Komponenten können durch elektrostatische Entladung beschädigt werden. Achten Sie bei der Arbeit mit Komponenten stets auf ordnungsgemäßen Schutz gegen elektrostatische Elektrizität. Wenn Sie Komponenten ohne ausreichende Erdung berühren, kann es zu Beschädigungen kommen.

Abbildung 3. Akku und Akkukabel installieren




- | | | |
|-----------------|------------------------------|-------------|
| 1 Speichermodul | 2 Anschluss am Speichermodul | 3 Akkukabel |
| 4 Batterie | 5 Anschluss am Akku | |


- 4 Legen Sie den PERC x/E-Adapter auf einer ebenen, sauberen und antistatischen Arbeitsfläche ab.
- 5 Installieren Sie das Speichermodul im Sockel des Controllers wie ein DIMM-Standardmodul. Weitere Informationen finden Sie unter „Installation der Akkubaugruppe am PERC x/E-Adapter“. Das Speichermodul schließt mit der Platine ab, so dass sich das Speichermodul im installierten Zustand parallel zur Platine befindet.

- 6 Drücken Sie das Speichermodul fest in den Speichersockel. Während Sie das Speichermodul in den Sockel drücken, rastet die Akkubaugruppe ein. Damit ist der Controller vollständig mit dem Sockel verbunden, und die Arme am Sockel greifen in die Kerben am Speichermodul und halten dieses in Position.


Installation der Akkubaugruppe am PERC x/E-Adapter


In diesem Abschnitt ist beschrieben, wie das Speichermodul am PERC x/E-Adapter installiert wird.


 **VORSICHT:** Das Entfernen der Gehäuseabdeckung sowie die Wartung der Bauteile im Inneren des Systems darf nur von zugelassenen Servicetechnikern vorgenommen werden. Beachten Sie bei sämtlichen Vorgängen die Sicherheitsvorkehrungen und die Hinweise für das Arbeiten im Innern des Computers und zum Schutz vor elektrischer Entladung, die im *Produktinformationshandbuch* beschrieben sind.

 **ANMERKUNG:** Die Akkubaugruppe am PERC x/E-Adapter besteht aus einem DIMM-Speichermodul und dem eigentlichen Pufferakku.

- 1 Entfernen Sie das Speichermodul in einer antistatischen Umgebung.

 **ANMERKUNG:** Entfernen Sie beim Auspacken einer elektrostatisch empfindlichen Komponente aus dem Versandkarton erst dann die antistatische Verpackung, wenn Sie die Komponente tatsächlich installieren. Achten Sie darauf, sich unmittelbar vor dem Entfernen der antistatischen Schutzhülle zu erden und somit die statische Elektrizität aus dem Körper abzuleiten.

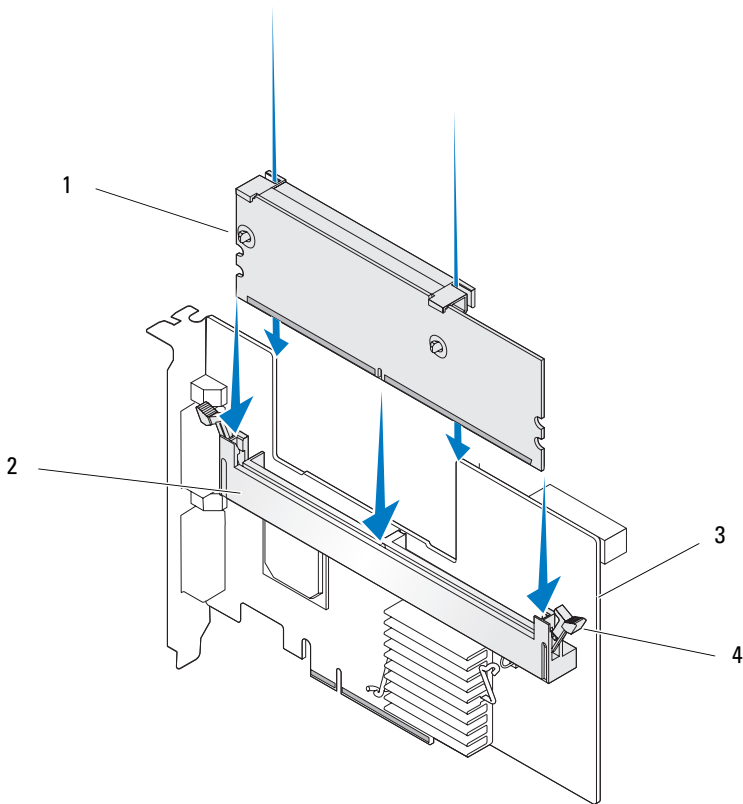
 **ANMERKUNG:** Empfindliche Komponenten sollten ausschließlich in einer antistatischen Umgebung gehandhabt werden. Verwenden Sie nach Möglichkeit antistatische Bodenmatten und Arbeitsflächen.

 **ANMERKUNG:** Berühren Sie niemals die Goldkontakte, und biegen Sie das Speichermodul nicht.

- 2 Richten Sie das Speichermodul so aus, dass sich die kodierte Kante des Speichermoduls genau über dem Vorsprung im Speichersockel des Controllers befindet. Dadurch vermeiden Sie eine Beschädigung des Speichermoduls.

- 3** Führen Sie das Speichermodul in den Sockel des Controllers ein, und drücken Sie das Speichermodul auf beiden Seiten oder in der Mitte gleichmäßig nach unten, bis die seitlichen Halteclips am Sockel einrasten. In Abbildung 4 ist die Installation eines Speichermoduls an einem PERC χ E-Adapter dargestellt.


Abbildung 4. DIMM-Speichermodul installieren




- | | | | |
|---|-----------------------|---|----------------|
| 1 | Speichermodul | 2 | Speichersockel |
| 3 | PERC χ E-Adapter | 4 | Halteclip |


Entfernen des DIMM-Moduls von einem PERC *x/i*-Controller

In diesem Abschnitt ist beschrieben, wie das Speichermodul von einem im System installierten PERC *x/i*-Adapter oder einem integrierten PERC *x/i*-Controller entfernt wird.

 **VORSICHT:** Das Entfernen der Gehäuseabdeckung sowie die Wartung der Bauteile im Inneren des Systems darf nur von zugelassenen Servicetechnikern vorgenommen werden. Beachten Sie bei sämtlichen Vorgängen die Sicherheitsvorkehrungen und die Hinweise für das Arbeiten im Innern des Computers und zum Schutz vor elektrischer Entladung, die im *Produktinformationshandbuch* beschrieben sind.


 **HINWEIS:** Das DIMM-Speichermodul kann nicht bei allen PERC-Karten-Generationen entfernt werden. PERC 5/i-Karten sind mit einem entfernbaren DIMM-Speichermodul ausgestattet. PERC 6/i-Karten verfügen über ein integriertes DIMM-Speichermodul, das nicht entfernt werden kann. Bei Adapterkarten oder integrierten Controllerkarten des Typs PERC6/i darf das nachfolgende Verfahren nicht angewandt werden.

- 1 Fahren Sie das System, in dem der PERC *x/i*-Controller installiert ist, ordnungsgemäß herunter und entfernen Sie den PERC *x/i*-Controller aus dem System. Weitere Informationen erhalten Sie im *Benutzerhandbuch für Dell PowerEdge Expandable RAID Controller x/i und x/E*.

 **VORSICHT:** Beim Betrieb des Systems ohne aufgesetzte Systemabdeckung kann es zu Schäden aufgrund unzureichender Kühlung kommen.

- 2 Entfernen Sie das Speichermodul vom Controller, indem Sie die Sicherungsklammern an den Enden des Speichermodulsockels herunterdrücken und das Speichermodul abziehen.

 **ANMERKUNG:** Üben Sie beim Entfernen des Speichermoduls keinen übermäßigen Druck auf den Anschluss am Speichermodul aus.

 **ANMERKUNG:** Die Position des integrierten PERC *x/i*-Controllers hängt vom System ab. Spezifische Informationen über die Position des integrierten PERC *x/i*-Controllers erhalten Sie im *Hardware-Benutzerhandbuch* zum System.

Entfernen der Akkueinheit von einem PERC x/i -Controller

In diesem Abschnitt ist beschrieben, wie die Akkueinheit von einem im System installierten PERC x/i -Adapter oder einem integrierten PERC x/i -Controller entfernt wird.



VORSICHT: Das Entfernen der Gehäuseabdeckung sowie die Wartung der Bauteile im Inneren des Systems darf nur von zugelassenen Servicetechnikern vorgenommen werden. Beachten Sie bei sämtlichen Vorgängen die Sicherheitsvorkehrungen und die Hinweise für das Arbeiten im Innern des Computers und zum Schutz vor elektrischer Entladung, die im *Produktinformationshandbuch* beschrieben sind.



ANMERKUNG: PERC x/i -Adapter in Dell Precision™-Workstations oder PowerEdge SC-Servern sind nicht mit einer Akkueinheit ausgestattet.

- 1 Fahren Sie das System, in dem der PERC x/i -Controller installiert ist, ordnungsgemäß herunter.
- 2 Trennen Sie das System vom Netzstrom und entfernen Sie die Systemabdeckung.



ANMERKUNG: Weitere Informationen über das Entfernen und Installieren der Systemabdeckung erhalten Sie im *Hardware-Benutzerhandbuch*.

- 3 Bestimmen Sie die Position des PERC x/i -Controllers im System und stellen Sie visuell fest, ob am Controller die Dirty-Cache-LED leuchtet. Falls die LED leuchtet, setzen Sie die Systemabdeckung auf, verbinden Sie das System mit dem Netzstrom, schalten Sie das System ein, und wiederholen Sie die Schritte 1 und 2.




VORSICHT: Der Betrieb des Systems ohne aufgesetzte Systemabdeckung kann zu Schäden aufgrund von unzureichender Kühlung führen.


- 4 Bestimmen Sie die Anschlussposition des Akkukabels neben dem Speichermodul am Controller, und trennen Sie das Akkukabel vom Controller.


Weitere Informationen über das Entfernen der Akkueinheit aus dem Systemgehäuse erhalten Sie im *Hardware-Benutzerhandbuch* zum System. Die Position der Akkubaugruppe für den PERC x/i -Controller ist vom System abhängig.

Installieren des DIMM-Moduls und der Akkueinheit an einem x/i-Controller


In diesem Abschnitt ist die Installation der Akkubaugruppe an einem PERC x/-Adapter oder einem integrierten PERC x/i-Controller beschrieben.


 **VORSICHT:** Das Entfernen der Gehäuseabdeckung sowie die Wartung der Bauteile im Inneren des Systems darf nur von zugelassenen Servicetechnikern vorgenommen werden. Beachten Sie bei sämtlichen Vorgängen die Sicherheitsvorkehrungen und die Hinweise für das Arbeiten im Innern des Computers und zum Schutz vor elektrischer Entladung, die im *Produktinformationshandbuch* beschrieben sind.


 **HINWEIS:** Das DIMM-Speichermodul kann nicht bei allen PERC-Karten-Generationen entfernt werden. PERC 5/i-Karten sind mit einem entfernbaren DIMM-Speichermodul ausgestattet. PERC 6/i-Karten verfügen über ein integriertes DIMM-Speichermodul, das nicht entfernt werden kann. Bei Adapterkarten oder integrierten Controllerkarten des Typs PERC6/i darf das nachfolgende Verfahren nicht angewandt werden.

 **ANMERKUNG:** Laden Sie den PERC-x-Akku vor der ersten Verwendung auf, damit die volle Funktion gewährleistet ist.

- 1 Entnehmen Sie das DIMM-Modul und die Akkueinheit der Verpackung, und befolgen Sie alle Vorsichtsmaßnahmen gegen statische Elektrizität.

 **ANMERKUNG:** Alle Vorgänge müssen an einem elektrostatisch abgesicherten Arbeitsplatz durchgeführt werden, um die Anforderungen nach EIA-625 zu erfüllen („Requirements For Handling Electrostatic Discharge Sensitive Devices“). Alle Vorgänge müssen nach den aktuellen IPC-A-610-Empfehlungen für elektrostatisch abgesichertes Arbeiten durchgeführt werden.

 **ANMERKUNG:** Empfindliche Komponenten sollten ausschließlich in einer antistatischen Umgebung gehandhabt werden. Verwenden Sie nach Möglichkeit antistatische Bodenmatten und Arbeitsflächen.

 **ANMERKUNG:** Entfernen Sie beim Auspacken einer elektrostatisch empfindlichen Komponente aus dem Versandkarton erst dann die antistatische Verpackung, wenn Sie die Komponente tatsächlich installieren. Achten Sie darauf, sich unmittelbar vor dem Entfernen der antistatischen Schutzhülle zu erden und somit die statische Elektrizität aus dem Körper abzuleiten.

- 2 Bestimmen Sie die Anschlussposition für das Akkukabel neben dem Speichermodul am Controller, und schließen Sie das Akkukabel an.



ANMERKUNG: Üben Sie beim Installieren des Speichermoduls keinen übermäßigen Druck auf den Anschluss am Speichermodul aus.

- 3 Richten Sie das Speichermodul so aus, dass sich die kodierte Kante des Speichermoduls genau über dem Vorsprung im Speichersockel des Controllers befindet. Dadurch vermeiden Sie eine Beschädigung des Speichermoduls.
- 4 Führen Sie das Speichermodul in den Sockel des Controllers ein, und drücken Sie das Speichermodul auf beiden Seiten oder in der Mitte gleichmäßig nach unten, bis die Sicherungsklammern in den Kerben am Sockel einrasten.

Dell™ PowerEdge™
Expandable RAID Controller x

PERC コントローラの
バッテリーとバッテリー
ケーブルの取り外しと取
り付け

メモ、注意、警告



メモ：コンピュータを使いやすくするための重要な情報を説明しています。



注意：ハードウェアの損傷やデータの損失の可能性を示し、その危険を回避するための方法を説明しています。



警告：物的損害、けが、または死亡の原因となる可能性があることを示しています。

本書の内容は予告なく変更されることがあります。

© 2007 すべての著作権は Dell Inc. にあります。

Dell Inc. の書面による許可のない複製は、いかなる形態においても厳重に禁じられています。

本書に使用されている商標：Dell、DELL ロゴ、Dell Precision、および PowerEdge は Dell Inc. の商標です。

本書では、必要に応じて上記以外の商標や会社名が使用されている場合がありますが、それらの商標や会社名は、一切 Dell Inc. に帰属するものではありません。

モデル UCP-50 および UCP-51

2007 年 11 月

P/N XR434


Rev. A00


PERC コントローラのバッテリーとバッテリーケーブルの取り外しと取り付け

本書では、Dell™ PowerEdge™ Expandable RAID Controller (PERC) のバッテリー、バッテリーケーブル、およびメモリモジュールの取り外しと取り付けについて説明します。

- PERC *x*E バッテリーの取り外しと取り付けの手順については、4 ページ を参照してください。x はカードのシリーズ (5、6 など) を示します。
- PERC *x*i バッテリーの取り外しと取り付けの手順については、12 ページ を参照してください。

安全に関する重要な注意

 **警告：**システムカバーの取り外しが必要な取り付け作業は、トレーニングを受けたサービス技術者のみが行ってください。安全上の注意、コンピュータ内部の作業、および静電気障害への対処の詳細については、システムに付属の『製品情報ガイド』を参照してください。

 **メモ：**米国における販売条件、デル製品の保証および返品、輸出規制、ソフトウェア使用許諾契約、安全、環境、および人間工学に関する注意、規制情報、およびリサイクル情報の詳細については、システムに付属の『製品情報ガイド』を参照してください。

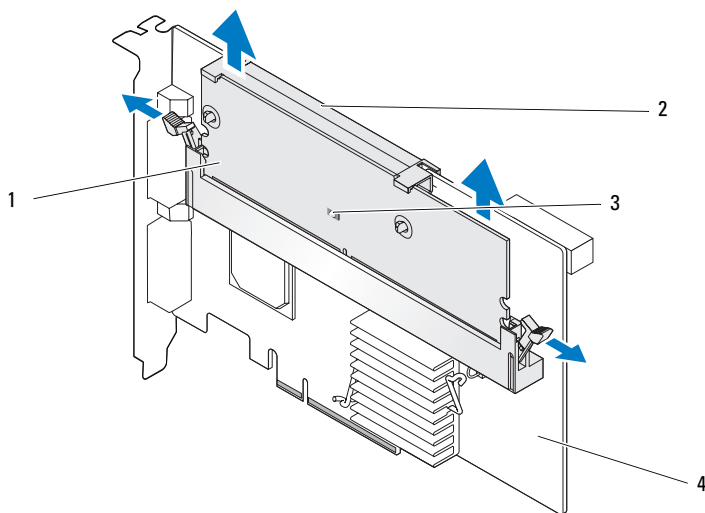
PERC *x*E アダプタからの可搬式バッテリーバックアップユニット (TBBU) の取り外し

本項では、システムに取り付けられた PERC *x*E アダプタから TBBU を取り外す手順を説明します。

メモ：PERC *x*E アダプタの TBBU は、DIMM とバッテリーバックアップユニット (BBU) で構成されています。

- 1 PERC *x*E アダプタが取り付けられているシステム、および接続されているストレージエンクロージャがあればそれらを含めて、制御されたシャットダウンを行い、システムから PERC *x*E アダプタを取り外します。詳細については、Dell PowerEdge Expandable RAID Controller *x*/i および *x*E の『ユーザズガイド』を参照してください。
- 2 コントローラを目視点検して、メモリモジュールのダーティキャッシュ LED が点灯しているかどうかを確認します。図 1 を参照してください。LED が点灯している場合は、コントローラをもう一度システムに挿入し、システムカバーを取り付け、システムをコンセントに接続し、システムの電源を入れ、手順 1 を繰り返します。

図 1 PERC *x*E アダプタのダーティキャッシュ LED の位置



- | | | | |
|---|---------------|---|----------------------|
| 1 | メモリモジュール | 2 | バッテリー |
| 3 | ダーティキャッシュ LED | 4 | PERC <i>x</i> E アダプタ |

! 警告：システムカバーを取り付けずにシステムを使用すると、過熱で故障するおそれがあります。

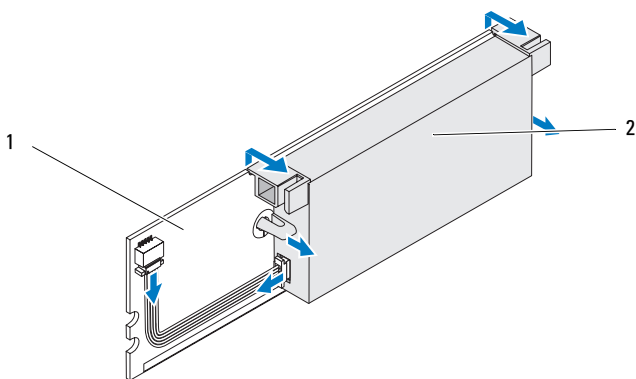
3 メモリモジュールコネクタの両端にあるタブを押し下げ、TBBU をアダプタから持ち上げて、PERC *x*E アダプタから TBBU アセンブリを取り外します。

4 バッテリーケーブルをメモリモジュールから外します。

メモ：メモリモジュールを取り外すときに、メモリモジュールのコネクタに力をかけ過ぎないように注意してください。

5 メモリモジュールにはめ込まれたバッテリークリップを押し開き、バッテリーを回すようにしてメモリモジュールから取り外します。
図 2 を参照してください。


図 2 BBU の取り外し




1 メモリモジュール 2 バッテリー


新しい BBU とバッテリーケーブルの取り付け


本項では、BBU とバッテリーケーブルを PERC xE アダプタの DIMM に取り付け手順を説明します。

 **警告：**システムカバーを取り外して内部の部品に手を触れる作業は、トレーニングを受けたサービス技術者のみが行ってください。安全上の注意、コンピュータ内部の作業、および静電気障害への対処の詳細については、手順を実行する前に『製品情報ガイド』を参照してください。


- 1 BBU を開梱して、静電気防止に関するすべての手順を実行します。

 **メモ：**すべての作業は、EIA-625 「静電気に敏感な装置の取り扱いに関する要件」を満たすように、静電気（ESD）が発生しない作業場所で行ってください。すべての作業は、ESD 推奨手順に関する IPC-A-610 の最新の改訂版に従って行ってください。

 **メモ：**静電気に敏感な部品の扱いは、静電気の発生しない場所で行ってください。なるべく静電気防止用のフロアパッドと作業台パッドを使用してください。

 **メモ：**静電気に敏感な部品を梱包箱から取り出す場合は、部品を取り付ける用意ができるまで、その部品を静電気防止梱包材から取り出さないでください。静電気防止パッケージを開梱する直前に、必ず身体から静電気を逃がしてください。

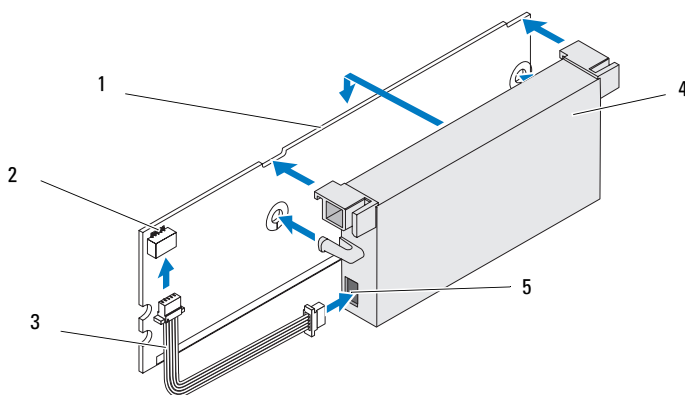
- 2 メモリモジュールをコントローラから取り外した状態で、バッテリーケーブルの一端（赤、白、黄、緑のワイヤー）をメモリモジュールのコネクタに、もう一方の端をバッテリーのコネクタに挿入します。

 **メモ：**メモリモジュールを取り付けるときに、メモリモジュールのコネクタに力をかけ過ぎないように注意してください。

- 3 バッテリー側面のアームがメモリモジュール上のソケットに入るように、バッテリーの上端をメモリモジュールの上端に揃えます。
図 3 を参照してください。

⚠ 警告：静電気に敏感なコンポーネントは、静電気によって損傷するおそれがあります。部品を取り扱う際には必ず、静電気防止のために適切な手段を講じてください。正しくアースせずに部品に触れると、装置が損傷するおそれがあります。

図 3 BBU とバッテリーケーブルの取り付け



- | | | | | | |
|---|----------|---|---------------|---|-----------|
| 1 | メモリモジュール | 2 | メモリモジュールのコネクタ | 3 | バッテリーケーブル |
| 4 | バッテリー | 5 | バッテリーのコネクタ | | |


- 4 静電気の発生しない、汚れていない水平な面に PERC x/E アダプタを置きます。
- 5 メモリモジュールを標準的な DIMM のようなコントローラメモリソケットに取り付けます。詳細については、「PERC x/E アダプタへの TBBU の取り付け」を参照してください。


メモリモジュールは、取り付けの際にシステム基板に対して平行になるように、フラッシュマウント式に取り付けます。

- 6 メモリモジュールをメモリソケットにしっかりと押し込みます。メモリモジュールをソケットに押し込むと、BBU がカチッと所定の位置にはまります。これは、コントローラがソケットに確実に装着されたことを示します。そして、ソケットのアームが切り込みに入ってメモリモジュールが固定されます。


PERC *x*E アダプタへの TBBU の取り付け


本項では、メモリモジュールを PERC *x*E アダプタに取り付ける手順を説明します。


 **警告：**システムカバーを取り外して内部の部品に手を触れる作業は、トレーニングを受けたサービス技術者のみが行ってください。安全上の注意、コンピュータ内部の作業、および静電気障害への対処の詳細については、手順を実行する前に『製品情報ガイド』を参照してください。

 **メモ：**PERC *x*E アダプタの TBBU は、DIMM とバッテリーバックアップユニット (BBU) で構成されています。

- 1 静電気が発生しない場所でメモリモジュールを取り外します。

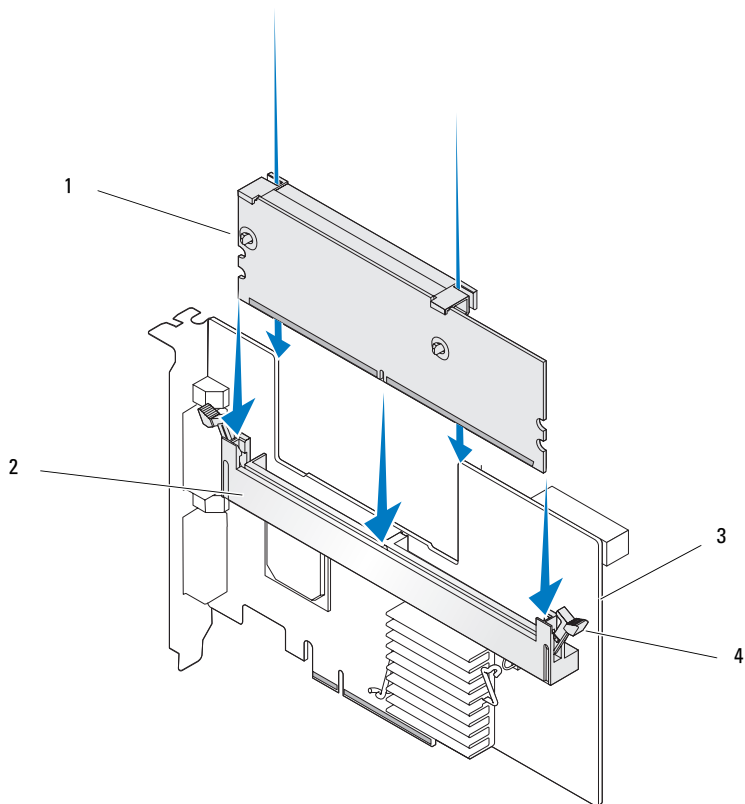
 **メモ：**静電気に敏感な部品を梱包箱から取り出す場合は、部品を取り付ける用意ができるまで、その部品を静電気防止梱包材から取り出さないでください。静電気防止パッケージを開梱する直前に、必ず身体から静電気を逃がしてください。

 **メモ：**静電気に敏感な部品の取り扱いには、静電気の発生しない場所で行ってください。なるべく静電気防止用のフロアパッドと作業台パッドを使用してください。

 **メモ：**金色のリード線には決して触れないでください。また、メモリモジュールを曲げないように注意してください。

- 2 メモリモジュールの切り込み部分がコントローラのメモリソケットの物理的な仕切りの上にきちんと収まるように、メモリモジュールを置いてください。これはメモリモジュールの損傷を防ぐための仕組みです。
- 3 メモリモジュールをコントローラのメモリソケットに挿入し、固定クリップがメモリモジュールの左右どちらかの側の割り当てられたスロットに入るまで、メモリモジュールの両端または中央を下方向にゆっくりと押します。図 4 は、メモリモジュールを PERC *x*E アダプタに取り付けるところを示したものです。


図 4 DIMM の取り付け




- | | | | |
|---|--------------|---|---------|
| 1 | メモリモジュール | 2 | メモリソケット |
| 3 | PERC xE アダプタ | 4 | 固定クリップ |


PERC *x*i コントローラから DIMM を取り外す方法

本項では、システムに取り付けられた PERC *x*i アダプタまたは PERC *x*i Integrated コントローラからメモリモジュールを取り外す手順を説明します。


 **警告：**システムカバーを取り外して内部の部品に手を触れる作業は、トレーニングを受けたサービス技術者のみが行ってください。安全上の注意、コンピュータ内部の作業、および静電気障害への対処の詳細については、手順を実行する前に『製品情報ガイド』を参照してください。


 **注意：**PERC カードのシリーズによっては、DIMM メモリモジュールの取り外しができない場合があります。PERC 5/i カードには、取り外し可能な DIMM モジュールが装備されています。PERC 6/i カードには内蔵 DIMM モジュールが装備されており、これは取り外しできません。PERC 6/i アダプタまたは内蔵コントローラカードに対して次の手順を行わないでください。

- 1 PERC *x*i コントローラが取り付けられているシステムで、制御されたシャットダウンを行い、システムから PERC *x*i コントローラを取り外すこと。詳細については、Dell PowerEdge Expandable RAID Controller *x*i および *x*E の『ユーザズガイド』を参照してください。

 **警告：**システムカバーを取り付けずにシステムを使用すると、過熱で故障するおそれがあります。


- 2 メモリモジュールコネクタの両端にあるタブを押し下げ、メモリモジュールをコントローラから持ち上げて取り外します。


 **メモ：**メモリモジュールを取り外すときに、メモリモジュールのコネクタに力をかけ過ぎないように注意してください。

 **メモ：**PERC *x*i Integrated コントローラの位置は、システムごとに異なります。PERC *x*i Integrated コントローラの位置について詳しくは、システムに付属の『ハードウェアオーナーズマニュアル』を参照してください。


PERC *xi* コントローラから BBU を取り外す方法

本項では、システムに取り付けられた PERC *xi* アダプタまたは PERC *xi* Integrated コントローラから BBU を取り外す手順を説明します。


 **警告：**システムカバーを取り外して内部の部品に手を触れる作業は、トレーニングを受けたサービス技術者のみが行ってください。安全上の注意、コンピュータ内部の作業、および静電気障害への対処の詳細については、手順を実行する前に『製品情報ガイド』を参照してください。

 **メモ：**Dell Precision™ ワークステーションまたは PowerEdge SC サーバーに取り付けられた PERC *xi* アダプタには、BBU がありません。

- 1 PERC *xi* コントローラが取り付けられているシステムで、制御されたシャットダウンを行います。
- 2 システムを電源コンセントから外し、システムカバーを取り外します。

 **メモ：**システムカバーの取り外しと取り付けの詳細については、システムに付属の『ハードウェアオーナーズマニュアル』を参照してください。

- 3 システム内の PERC *xi* コントローラの位置を確認し、コントローラを目視点検して、コントローラのダーティーキャッシュ LED がオンになっているかどうかを確認します。LED がオンになっていたら、システムカバーを取り付け、システムを電源に接続して電源を入れ、手順 1 と 2 を繰り返します。


 **警告：**システムカバーを取り付けずにシステムを使用すると、**過熱で故障するおそれがあります。**


- 4 コントローラ上のメモリモジュールの隣にあるバッテリーのケーブル接続の位置を確認し、バッテリーを取り外します。


システムシャーシから BBU を取り外す手順の詳細については、システムに付属の『ハードウェアオーナーズマニュアル』を参照してください。PERC *xi* コントローラ上の TBBU の位置は、システムごとに異なります。

DIMM および BBU を PERC *x*i コントローラに取り付ける方法


本項では、PERC *x*i アダプタまたは PERC *x*i Integrated コントローラに TBBU を取り付ける手順を説明します。


 **警告：**システムカバーを取り外して内部の部品に手を触れる作業は、トレーニングを受けたサービス技術者のみが行ってください。安全上の注意、コンピュータ内部の作業、および静電気障害への対処の詳細については、手順を実行する前に『製品情報ガイド』を参照してください。


 **注意：**PERC カードのシリーズによっては、DIMM メモリモジュールの取り外しができない場合があります。PERC 5/i カードには、取り外し可能な DIMM モジュールが装備されています。PERC 6/i カードには内蔵 DIMM モジュールが装備されており、これは取り外しができません。PERC 6/i アダプタまたは内蔵コントローラカードに対して次の手順を行わないでください。

 **メモ：**十分に機能するよう、PERC *x* のバッテリーを初めて使用する場合は事前に充電してください。

1 DIMM と BBU を開梱して、静電気防止に関するすべての手順を実行します。

 **メモ：**すべての作業は、EIA-625 「静電気に敏感な装置の取り扱いに関する要件」を満たすように、静電気（ESD）が発生しない作業場所で行ってください。すべての作業は、ESD 推奨手順に関する IPC-A-610 の最新の改訂版に従って行ってください。

 **メモ：**静電気に敏感な部品の取り扱いは、静電気の発生しない場所で行ってください。なるべく静電気防止用のフロアパッドと作業台パッドを使用してください。

 **メモ：**静電気に敏感な部品を梱包箱から取り出す場合は、部品を取り付ける用意ができるまで、その部品を静電気防止梱包材から取り出さないでください。静電気防止パッケージを開梱する直前に、必ず身体から静電気を逃がしてください。

- 2 コントローラ上のメモリモジュールの隣にあるバッテリーのケーブル接続の位置を確認し、バッテリーを取り付けます。



メモ：メモリモジュールを取り付けるときに、メモリモジュールのコネクタに力をかけ過ぎないように注意してください。

- 3 メモリモジュールの切り込み部分がコントローラのメモリソケットの物理的な仕切りの上にきちんと収まるように、メモリモジュールを置いてください。これはメモリモジュールの損傷を防ぐための仕組みです。
- 4 メモリモジュールをコントローラのメモリソケットに挿入し、固定クリップがメモリモジュールの左右どちらかの側の割り当てられたスロットに入るまで、メモリモジュールの両端または中央を下方向にゆっくりと押します。

Dell™ PowerEdge™
Expandable RAID Controller x

**PERC 컨트롤러의 전지 및
전지 케이블 제거 / 설치**



주, 주의사항 및 주의



주: 참고는 컴퓨터를 보다 효율적으로 사용하는데 도움이 되는 중요 정보를 제공합니다.



주의사항: 알림은 하드웨어의 손상 또는 데이터 유실 위험을 설명하며, 이러한 문제를 방지할 수 있는 방법을 알려줍니다.



주의: 주의는 재산상의 피해나 심각한 부상 또는 사망을 유발할 수 있는 위험이 있음을 나타냅니다.

본 설명서에 수록된 정보는 사전 통보 없이 변경될 수 있습니다.

© 2007 Dell Inc. All rights reserved.

어떠한 경우에도 Dell Inc.의 사전 승인 없이 무단 복제하는 행위는 엄격하게 금지되어 있습니다.

본 설명서에 사용된 상표인 *Dell*, *DELL* 로고, *Dell Precision* 및 *PowerEdge*는 Dell Inc.의 상표입니다.

본 설명서에서 특정 회사의 표시나 제품 이름을 지칭하기 위해 기타 상표나 상호를 사용할 수도 있습니다. Dell Inc.는 자사가 소유하고 있는 것 이외에 기타 모든 등록 상표 및 상표 이름에 대한 어떠한 소유권도 보유하지 않습니다.

모델 UCP-50 및 UCP-51

2007 년 11 월

P/N XR434


Rev. A00


PERC 컨트롤러의 전지 및 전지 케이블 제거 / 설치

이 설명서에서는 Dell™ PowerEdge™ Expandable RAID Controller (PERC)의 전지, 전지 케이블 및 메모리 모듈을 제거 및 설치하는 방법을 설명합니다.

- PERC x/E는 페이지 4를 참조하십시오. 여기서 x는 카드 전지 제거 및 설치 절차의 생성(예: 5, 6, etc.)입니다.
- PERC x/i 전지 제거 및 설치 절차는 페이지 10을 참조하십시오.

안전에 대한 중요 정보

 **주의 :** 시스템 덮개를 열어야 하는 설치 작업은 숙련된 서비스 기술자만이 수행할 수 있습니다. 안전 지침, 컴퓨터 내부 작업 및 정전기 방전 보호에 대한 자세한 내용은 시스템과 함께 제공되는 *시스템 정보 안내*를 참조하십시오.

 **주:** 미국 제품 판매 조건, 제한 보증 및 반품, 수출 규제, 소프트웨어 라이선스 계약, 안전, 환경 및 인체공학 관련 지침, 규제 사항, 재활용 정보 등에 관한 자세한 내용은 시스템과 함께 제공되는 *시스템 정보 안내*를 참조하십시오.

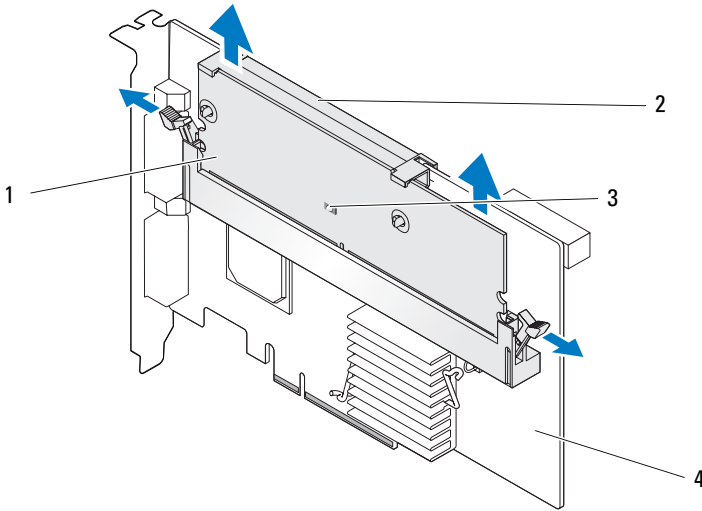
PERC x/E 어댑터에서 TBBU (Transportable Battery Backup Unit) 제거

이 항목에서는 시스템에 설치되어 있는 PERC x/E 어댑터에서 TBBU를 제거하는 절차를 설명합니다.

주: PERC x/E 어댑터의 TBBU는 DIMM (Dual In-line Memory Module)과 BBU (Battery Backup Unit)로 구성되어 있습니다.

- 1 연결된 스토리지 인클로저뿐만 아니라 PERC x/E 어댑터가 설치된 시스템의 제어 종료 절차를 수행한 다음 시스템에서 PERC x/E 어댑터를 제거합니다. 자세한 내용은 *Dell PowerEdge Expandable RAID Controller x/i 및 x/E 사용 설명서*를 참조하십시오.
- 2 컨트롤러를 육안으로 검사하여 메모리 모듈의 더티 캐쉬 LED가 켜져 있는지 확인합니다. 그림 1을 참조하십시오. 이 LED가 켜져 있으면 컨트롤러를 시스템에 다시 삽입하고 시스템 덮개를 다시 장착합니다. 그리고 시스템을 전원 콘센트에 다시 연결하고 시스템을 켭니다. 1단계를 반복합니다.

그림 1. PERC x/E 어댑터 더티 캐쉬 LED 위치

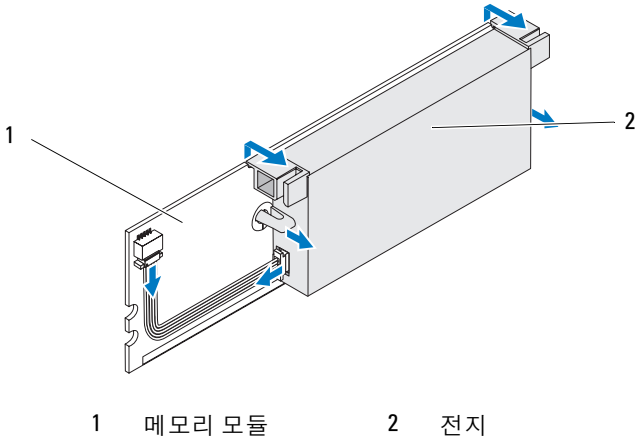


- | | | | |
|---|-----------|---|--------------|
| 1 | 메모리 모듈 | 2 | 전지 |
| 3 | 더티 캐쉬 LED | 4 | PERC x/E 어댑터 |

주의 : 시스템 덮개를 설치하지 않고 시스템을 실행하면 부적절한 냉각 때문에 시스템이 손상될 수 있습니다.


- 3 메모리 모듈 커넥터의 각 모서리에 있는 탭을 아래로 눌러 PERC x/E 어댑터에서 TBBU 조립품을 분리합니다.
- 4 메모리 모듈에서 전지 케이블을 분리합니다.
 - ▣ 주: 메모리 모듈을 제거하는 과정에서 메모리 모듈 커넥터에 과도한 힘을 가하지 마십시오.
- 5 메모리 모듈에 삽입된 전지 클립을 누르고 전지를 돌려서 메모리 모듈에서 제거하는 방식으로 메모리 모듈에서 전지를 분리합니다. 그림 2를 참조하십시오.

그림 2. BBU 제거





새 BBU 및 전지 케이블 설치


이 항목에서는 BBU 및 전지 케이블을 PERC x/E 어댑터의 DIMM에 설치하는 방법을 설명합니다.

 **주의 :** 숙련된 서비스 기술자만이 시스템 덮개를 열고 시스템 내부의 구성부품에 액세스할 수 있습니다. 절차를 수행하기 전에 제품 정보 안내에서 안전 지침, 컴퓨터 내부 작업 및 정전기 방전 보호에 대한 자세한 내용을 참조하십시오.


1 BBU의 포장을 풀고 모든 정전기 방지 절차를 준수합니다.

 **주:** EIA-625 - "정전기 방전 민감 장치 취급 요구사항"의 요건에 부합하도록 ESD(정전기 방전)가 없는 워크스테이션에서 모든 작업을 수행해야 합니다. 가장 최근에 개정된 IPC-A-610의 ESD 권장항목에 따라 모든 조치가 취해져야 합니다.

 **주:** 모든 구성부품은 정전기가 발생하지 않는 장소에서 취급하십시오. 가능하면 정전기 방지용 바닥 깔개나 작업대 깔개를 사용하십시오.

 **주:** 정전기에 민감한 구성부품의 포장을 푸는 경우, 설치 준비가 되기 전까지는 해당 구성부품의 정전기 방지 포장을 풀지 마십시오. 정전기 방지 포장을 제거하기 전에 사용자 몸에 있는 정전기를 없애십시오.

2 컨트롤러에서 메모리 모듈을 분리한 채 전지 케이블의 한쪽 끝(적색, 흰색, 황색, 녹색 와이어)을 메모리 모듈 커넥터에 삽입하고 반대쪽 끝을 전지 커넥터에 삽입합니다.

 **주:** 메모리 모듈을 설치하는 과정에서 메모리 모듈 커넥터에 과도한 힘을 가하지 마십시오.

3 전지 측면의 암이 메모리 모듈의 해당 소켓에 맞도록 전지의 상단을 메모리 모듈의 상단에 올려놓습니다. 그림 3을 참조하십시오.


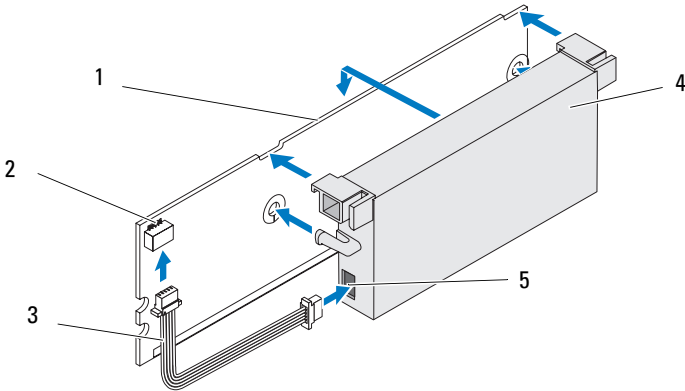
 **주의 :** 정전기 방전으로 인해 민감한 구성부품이 손상될 수 있습니다. 구성부품을 취급할 때에는 항상 정전기 방지를 위한 적절한 보호책을 사용하십시오. 제대로 접지하지 않은 상태에서 부품에 접촉하면 장비가 손상될 수 있습니다.

그림 3. BBU 및 전지 케이블 설치





- | | | |
|----------|--------------|----------|
| 1 메모리 모듈 | 2 메모리 모듈 커넥터 | 3 전지 케이블 |
| 4 전지 | 5 전지 커넥터 | |

- 4 PERC x/E 어댑터를 평평하고 깨끗한 정전기가 없는 표면에 놓습니다.
- 5 표준 DIMM과 같이 메모리 모듈을 컨트롤러 메모리 소켓에 장착합니다. 자세한 내용은 "PERC x/E 어댑터에 TBBU 설치" 를 참조하십시오.
메모리 모듈은 보드와 같은 높이에 장착됩니다. 따라서 설치되면 메모리 모듈은 보드와 평행을 이룹니다.
- 6 메모리 모듈을 눌러서 메모리 소켓에 단단히 끼워지도록 합니다. 메모리 모듈을 소켓에 장착하기 위해 누를 때 BBU는 딸각하는 소리가 나면서 제자리에 장착됩니다. 이 소리가 나면 컨트롤러가 소켓에 단단히 꽂히고 소켓 암이 노치에 맞물려 메모리 모듈이 단단히 고정됩니다.


PERC x/E 어댑터에 TBBU 설치


이 항목에서는 메모리 모듈을 PERC x/E 어댑터에 설치하는 절차를 설명합니다.


 **주의 :** 숙련된 서비스 기술자만이 시스템 덮개를 열고 시스템 내부의 구성부품에 액세스할 수 있습니다. 절차를 수행하기 전에 시스템 정보 안내에서 안전 지침, 컴퓨터 내부 작업 및 정전기 방전 보호에 대한 자세한 내용을 참조하십시오.

 **주:** PERC x/E 어댑터의 TBBU는 DIMM (Dual In-line Memory Module)과 BBU (Battery Backup Unit)로 구성되어 있습니다.

- 1 정전기 방지 환경에서 메모리 모듈을 제거합니다.

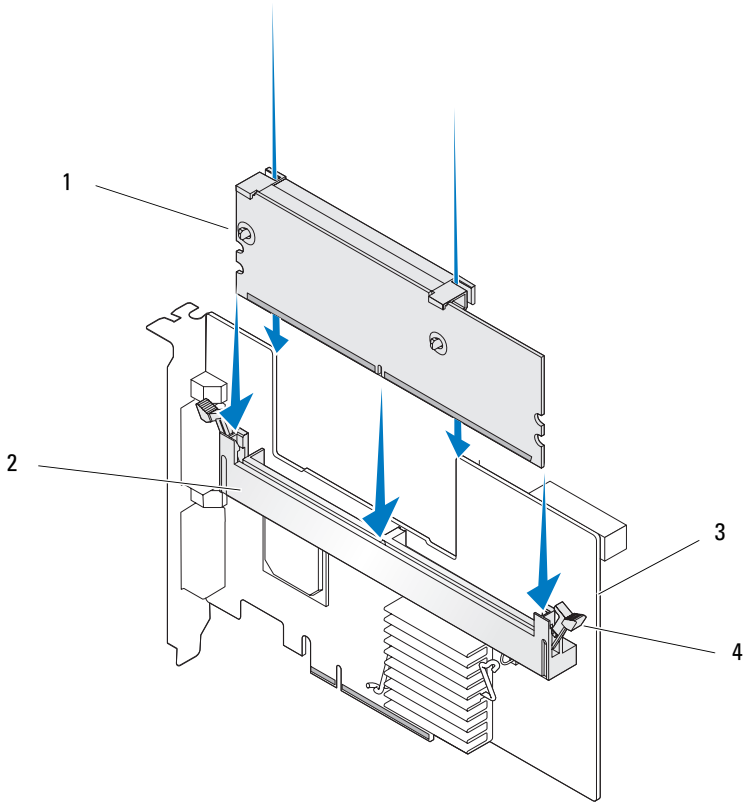
 **주:** 정전기에 민감한 구성부품의 포장을 푸는 경우, 설치 준비가 되기 전까지는 해당 구성부품의 정전기 방지 포장을 풀지 마십시오. 정전기 방지 포장을 제거하기 전에 사용자 몸에 있는 정전기를 없애십시오.

 **주:** 모든 구성부품은 정전기가 발생하지 않는 장소에서 취급하십시오. 가능하면 정전기 방지용 바닥 깔개나 작업대 깔개를 사용하십시오.

 **주:** 금도금부에 절대로 접촉하지 마십시오. 그리고 메모리 모듈을 구부리지 마십시오.

- 2 메모리 모듈의 표시된 모서리가 컨트롤러의 메모리 소켓에 있는 물리적 구분판의 상부에 놓여지도록 메모리 모듈을 맞춥니다. 그러면 메모리 모듈 손상을 방지할 수 있습니다.
- 3 컨트롤러의 메모리 소켓에 메모리 모듈을 삽입하고 고정 클립이 메모리 모듈 양쪽의 해당 슬롯으로 내려가도록 메모리 모듈의 양쪽 끝이나 가운데를 부드럽게 아래로 누릅니다. 그림 4는 PERC x/E 어댑터에 메모리 모듈을 설치하는 것을 보여줍니다.


그림 4. DIMM (Dual In-line Memory Module) 설치




- | | | | |
|---|-------------|---|--------|
| 1 | 메모리 모듈 | 2 | 메모리 소켓 |
| 3 | PERC ME 어댑터 | 4 | 고정 클립 |


PERC x/i 컨트롤러에서 DIMM 제거

이 절에서는 시스템에 설치되어 있는 PERC x/i 어댑터 또는 PERC x/i 통합 컨트롤러에서 메모리 모듈을 제거하는 절차에 대해 설명합니다.


 **주의 :** 숙련된 서비스 기술자만이 시스템 덮개를 열고 시스템 내부의 구성 부품에 액세스할 수 있습니다. 절차를 수행하기 전에 시스템 정보 안내에서 안전 지침, 컴퓨터 내부 작업 및 정전기 방전 보호에 대한 자세한 내용을 참조하십시오.


 **주의사항:** PERC 카드의 생성에 따라 DIMM 메모리 모듈을 제거하지 못할 수도 있습니다. PERC 5/i 카드에는 이동식 DIMM 모듈이 포함되어 있습니다. PERC 6/i 카드에는 제거 불가능한 내장형 DIMM 모듈이 포함되어 있습니다. PERC 6/i 어댑터 또는 내장형 컨트롤러 카드에 다음 절차를 시도하지 마십시오.

- 1 PERC x/i 컨트롤러가 설치된 시스템의 제어 종료 절차를 수행하고 시스템에서 PERC x/i 컨트롤러를 제거합니다. 자세한 내용은 *Dell PowerEdge Expandable RAID Controller x/i 및 x/E 사용 설명서*를 참조하십시오.

 **주의 :** 시스템 덮개를 설치하지 않고 시스템을 실행하면 부적절한 냉각 때문에 시스템이 손상될 수 있습니다.


- 2 메모리 모듈 커넥터의 각각의 모서리에 있는 탭을 누르고 컨트롤러에서 메모리 모듈을 들어 올려 메모리 모듈을 제거합니다.


 **주:** 메모리 모듈을 제거하는 과정에서 메모리 모듈 커넥터에 과도한 힘을 가하지 마십시오.

 **주:** PERC x/i 통합 컨트롤러의 위치는 시스템마다 다양합니다. PERC x/i 통합 컨트롤러의 위치에 대한 자세한 내용은 시스템과 함께 제공되는 *하드웨어 소유자 설명서*를 참조하십시오.


PERC x/i 컨트롤러에서 BBU 분리

이 절에서는 시스템에 설치되어 있을 때 PERC x/i 어댑터 또는 PERC x/i 통합 컨트롤러에서 BBU를 분리하는 절차에 대해 설명합니다.


 **주의 :** 숙련된 서비스 기술자만이 시스템 덮개를 열고 시스템 내부의 구성 부품에 액세스할 수 있습니다. 절차를 수행하기 전에 시스템 정보 안내에서 안전 지침, 컴퓨터 내부 작업 및 정전기 방전 보호에 대한 자세한 내용을 참조하십시오.

 **주:** Dell Precision™ 워크스테이션 또는 PowerEdge SC 서버에 설치된 PERC x/i 어댑터에는 BBU가 없습니다.

- 1 PERC x/i 컨트롤러가 설치된 시스템에 제어 종료 절차를 수행합니다.
- 2 전원 콘센트에서 시스템을 분리하고 시스템 덮개를 제거합니다.

 **주:** 시스템 덮개를 제거 및 재설치하는 방법에 대한 자세한 내용은 시스템과 함께 제공되는 *하드웨어 소유자 설명서*를 참조하십시오.

- 3 시스템에서 PERC x/i 컨트롤러를 찾고 컨트롤러를 점검하여 컨트롤러의 더티 캐쉬 LED가 켜져 있는지 확인합니다. LED가 켜져 있으면 시스템 덮개를 교체하고, 시스템에 전원을 다시 연결한 다음 시스템을 켜고 1단계 및 2단계를 반복합니다.


 **주의 :** 시스템 덮개를 설치하지 않고 시스템을 실행하면 부적절한 냉각 때문에 시스템이 손상될 수 있습니다.


- 4 컨트롤러에서 메모리 모듈 옆의 전지 케이블 연결을 찾은 다음 전지를 분리합니다.


시스템 새시에서 BBU를 제거하는 방법에 대한 자세한 내용은 시스템과 함께 제공되는 *하드웨어 소유자 설명서*를 참조하십시오. PERC x/i 컨트롤러의 TBBU 위치는 시스템마다 다양합니다.

PERC x/i 컨트롤러에 DIMM 및 BBU 설치


이 절에서는 PERC x/i 어댑터 또는 PERC x/i 통합 컨트롤러에 TBBU를 설치하는 방법에 대해 설명합니다.


 **주의 :** 숙련된 서비스 기술자만이 시스템 덮개를 열고 시스템 내부의 구성부품에 액세스할 수 있습니다. 절차를 수행하기 전에 시스템 정보 안내에서 안전 지침, 컴퓨터 내부 작업 및 정전기 방전 보호에 대한 자세한 내용을 참조하십시오.


 **주의사항:** PERC 카드의 생성에 따라 DIMM 메모리 모듈을 제거하지 못할 수도 있습니다. PERC 5/i 카드에는 이동식 DIMM 모듈이 포함되어 있습니다. PERC 6/i 카드에는 제거 불가능한 내장형 DIMM 모듈이 포함되어 있습니다. PERC 6/i 어댑터 또는 내장형 컨트롤러 카드에 다음 절차를 시도하지 마십시오.

 **주:** 전체적인 기능을 사용할 수 있도록 처음 사용하기 전에 PERC x 전지를 충전합니다.


1 DIMM 및 BBU의 포장을 풀고 모든 정전기 방지 절차를 준수합니다.

 **주:** EIA-625 - "정전기 방전 민감 장치 취급 요구사항"의 요건에 부합하도록 ESD(정전기 방전)가 없는 워크스테이션에서 모든 작업을 수행해야 합니다. 가장 최근에 개정된 IPC-A-610의 ESD 권장항목에 따라 모든 조치가 취해져야 합니다.

 **주:** 모든 구성부품은 정전기가 발생하지 않는 장소에서 취급하십시오. 가능하면 정전기 방지용 바닥 깔개나 작업대 깔개를 사용하십시오.

 **주:** 정전기에 민감한 구성부품의 포장을 푸는 경우, 설치 준비가 되기 전까지는 해당 구성부품의 정전기 방지 포장을 풀지 마십시오. 정전기 방지 포장을 제거하기 전에 사용자 몸에 있는 정전기를 없애십시오.

2 컨트롤러에서 메모리 모듈 옆의 전지 케이블 연결을 찾은 다음 전지를 연결합니다.

 **주:** 메모리 모듈을 설치하는 과정에서 메모리 모듈 커넥터에 과도한 힘을 가하지 마십시오.

3 메모리 모듈의 표시된 모서리가 컨트롤러의 메모리 소켓에 있는 물리적 구분판의 상부에 놓여지도록 메모리 모듈을 맞춥니다. 그러면 메모리 모듈 손상을 방지할 수 있습니다.

4 컨트롤러의 메모리 소켓에 메모리 모듈을 삽입하고 고정 클립이 메모리 모듈 양쪽의 해당 슬롯으로 내려가도록 메모리 모듈의 양쪽 끝이나 가운데를 부드럽게 아래로 누릅니다.

Расширяемый RAID-
контроллер Dell™
PowerEdge™ x

Установка и удаление
батареи и кабеля
батареи на
контроллерах PERC



Примечания, предупреждения и символы внимания



ПРИМЕЧАНИЕ: Подзаголовок ПРИМЕЧАНИЕ указывает на важную информацию, которая поможет использовать компьютер более эффективно.



ВНИМАНИЕ: ВНИМАНИЕ указывает на возможность повреждения оборудования или потери данных и объясняет, как этого избежать.



ПРЕДУПРЕЖДЕНИЕ: ПРЕДУПРЕЖДЕНИЕ указывает на потенциальную опасность повреждения, получения легких травм или угрозу для жизни.

Информация в настоящем документе может быть изменена без предварительного уведомления.

© Корпорация Dell Inc. , 2007. Все права защищены.

Воспроизведение любой части настоящего документа любым способом без письменного разрешения корпорации Dell Inc. строго воспрещается.

Ниже перечислены товарные знаки, использованные в этом документе. *Dell*, логотип *DELL*, *Dell Precision* и *PowerEdge* являются товарными знаками корпорации Dell Inc.

Остальные товарные знаки и торговые наименования могут использоваться в этом руководстве для обозначения компаний, заявляющих права на товарные знаки и наименования, или продуктов этих компаний. Корпорация Dell Inc. не заявляет прав ни на какие товарные знаки и наименования, кроме собственных.

Модели UCP-50 и UCP-51

Ноябрь 2007 г.

P/N XR434


Ред. A00


Установка и удаление батареи и кабеля батареи на контроллерах PERC

В данном документе содержится информация о демонтаже и установке батареи, кабеля батареи и модуля памяти расширяемого RAID-контроллера серии Dell™ PowerEdge™ (PERC).

- Инструкции для модели PERC x/E, где *x* — номер поколения карты (напр., 5, 6 и т.д.), см. на стр. 94.
- Инструкции для модели PERC x/i см. на стр. 100.


Важная информация о безопасности

 **ПРЕДУПРЕЖДЕНИЕ:** Любая процедура установки, требующая снятия крышки системы, должна выполняться только обученными техническими специалистами сервисной службы. Полная информация о мерах предосторожности, работе внутри компьютера и защите от электростатических разрядов содержится в документе Информационное руководство по продуктам, поставляемом вместе с системой.

 **ПРИМЕЧАНИЕ:** Полные сведения об условиях и сроках продажи в США, ограниченной гарантии и правилах возврата, экспортном законодательстве, лицензионном соглашении по программному обеспечению, мерах безопасности, инструкциях по эксплуатации и эргономической информации, законодательству и стандартам, а также информации об утилизации содержатся в документе *Информационное руководство по продуктам*, поставляемом вместе с системой.

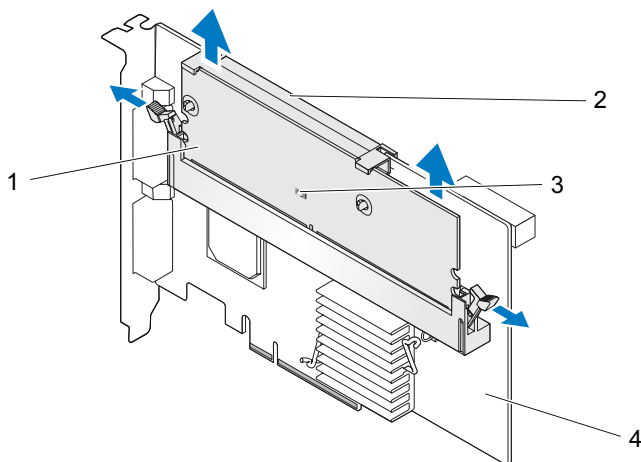
Снятие переносного блока резервного питания (Transportable Battery Backup Unit — TBBU) адаптера PERC x/E

В этом разделе описывается процедура демонтажа блока TBBU из адаптера PERC x/E, установленного в системе.

 **ПРИМЕЧАНИЕ:** Блок TBBU адаптера PERC x/E состоит из модуля памяти с двухрядным расположением контактов (dual in-line memory module – DIMM) и модуля резервного батарейного питания (BBU).

- 1 Выполните управляемое выключение системы, в которой установлен адаптер PERC x/E, а также всех подключенных корпусов систем хранения, затем извлеките адаптер PERC x/E из системы. Дополнительная информация содержится в документе *Руководство пользователя по расширяемым RAID-контроллерам Dell PowerEdge x/i и x/E*.
- 2 Выполните визуальный осмотр контроллера и определите, горит ли индикатор наличия измененных кэш-буферов, не записанных на диск. См. рис. 1. Если индикатор светится, вставьте контроллер обратно в систему, поставьте на место крышку, подключите систему к электропитанию, включите систему и повторите пункт 1.

Рисунок 1. Расположение индикатора наличия измененных кэш-буферов, не записанных на диск, адаптера PERC x/E



- | | | | |
|---|---|---|------------------|
| 1 | модуль памяти | 2 | батарея |
| 3 | индикатор наличия измененных кэш-буферов, не записанных на диск | 4 | адаптер PERC x/E |

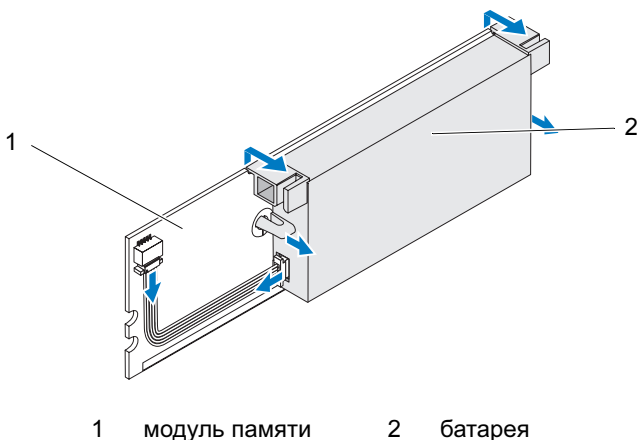
! **ПРЕДУПРЕЖДЕНИЕ:** Работа системы без установленной крышки может привести к выходу из строя в результате неправильного охлаждения.

- 3 Извлеките блок ТВВU из адаптера PERC x/E. Для этого нажмите на защелки, расположенные по обеим сторонам разъема модуля памяти, затем извлеките блок ТВВU из адаптера.
- 4 Отсоедините кабель батареи от модуля памяти.

✎ ПРИМЕЧАНИЕ: При извлечении модуля памяти не следует прикладывать чрезмерное усилие к разъему.


- 5 Отсоедините батарею от модуля памяти, отжав фиксаторы батареи, вставленные в модуль памяти, и повернув батарею таким образом, чтобы отделить ее от модуля памяти. См. рис. 2.

Рисунок 2. Снятие модуля резервного питания ВВU





Установка нового модуля резервного питания и кабеля батареи


В этом разделе описывается процедура установки модуля резервного батарейного питания (BBU) и кабеля батареи на модуль DIMM адаптера PERC x/E.

 **ПРЕДУПРЕЖДЕНИЕ:** Снятие крышки системы и доступ к внутренним компонентам системы разрешены только обученным техническим специалистам сервисной службы. Перед выполнением описанных процедур необходимо ознакомиться с полной информацией о мерах предосторожности, работе внутри компьютера и защите от электростатических разрядов, содержащейся в документе *Информационное руководство по продуктам*.


- 1 Распакуйте модуль BBU, соблюдая все процедуры по защите от электростатических разрядов.

 **ПРИМЕЧАНИЕ:** Все работы должны производиться на рабочем месте, защищенном от электростатических разрядов, которое соответствует требованиям стандарта EIA-625 (“Требования к работе с устройствами, чувствительными к электростатическим разрядам”). Все действия должны выполняться в соответствии с рекомендациями последней редакции стандарта IPC-A-610 относительно защиты от электростатических разрядов.

 **ПРИМЕЧАНИЕ:** Выполняйте любую работу с чувствительными компонентами только в местах, защищенных от статического электричества. По возможности используйте специальные напольные и настольные антистатические коврики.

 **ПРИМЕЧАНИЕ:** Вынимая из упаковочной коробки компоненты, чувствительные к статическому электричеству, не снимайте с них антистатическую упаковку до тех пор, пока не будете готовы к установке. Прежде чем удалять антистатическую упаковку, не забудьте снять с себя статическое электричество.

- 2 Сняв с контроллера модуль памяти, вставьте один конец кабеля батареи (красный, белый, желтый и зеленый провода) в разъем на модуле памяти, а другой конец – в разъем батареи.

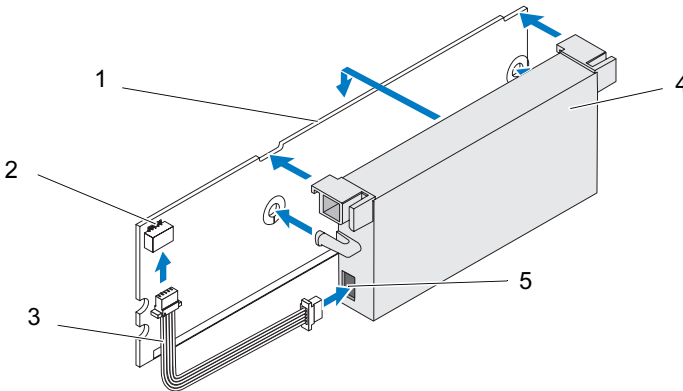
 **ПРИМЕЧАНИЕ:** При установке модуля памяти не следует прикладывать чрезмерное усилие к разъему.

- 3 Совместите верхний край батареи с верхним краем модуля памяти таким образом, чтобы кронштейны, расположенные по бокам батареи, вошли в гнезда модуля памяти. См. рис. 3.



ПРЕДУПРЕЖДЕНИЕ: Электростатический разряд может повредить чувствительные компоненты. При работе с такими компонентами следует всегда использовать соответствующую антистатическую защиту. Контакт с этими компонентами без соответствующего заземления может привести к повреждению оборудования.

Рисунок 3. Установка блока резервного питания и кабеля батареи





- 1 модуль памяти 2 разъем на модуле памяти 3 кабель батареи
4 батарея 5 разъем на батарее

- 4 Поместите адаптер PERC x/E на ровную, чистую и защищенную от электростатического электричества поверхность.
- 5 Установите модуль памяти в разъем для модуля памяти контроллера как стандартный модуль DIMM. Более подробные сведения можно найти в разделе “Установка блока TBBU в адаптер PERC x/E”.
- Модуль памяти устанавливается на одном уровне с платой. Таким образом, при установке модуль памяти оказывается параллельным плате.
- 6 Вставьте модуль памяти в разъем до упора. При этом модуль VBU защелкнется, указывая на то, что контроллер до упора вставлен в разъем, а кронштейны разъема вошли в пазы и надежно закрепили модуль.


Установка блока TBVU в адаптер PERC x/E


В этом разделе описывается процедура установки модуля памяти адаптера PERC x/E.


 **ПРЕДУПРЕЖДЕНИЕ:** Снятие крышки системы и доступ к внутренним компонентам системы разрешены только обученным техническим специалистам сервисной службы. Перед выполнением описанных процедур необходимо ознакомиться с полной информацией о мерах предосторожности, работе внутри компьютера и защите от электростатических разрядов, содержащейся в документе *Информационное руководство по продуктам*.

 **ПРИМЕЧАНИЕ:** Блок TBVU адаптера PERC x/E состоит из модуля памяти DIMM и модуля резервного батарейного питания (BBU).

- 1 Извлеките модуль памяти, соблюдая меры антистатической защиты.

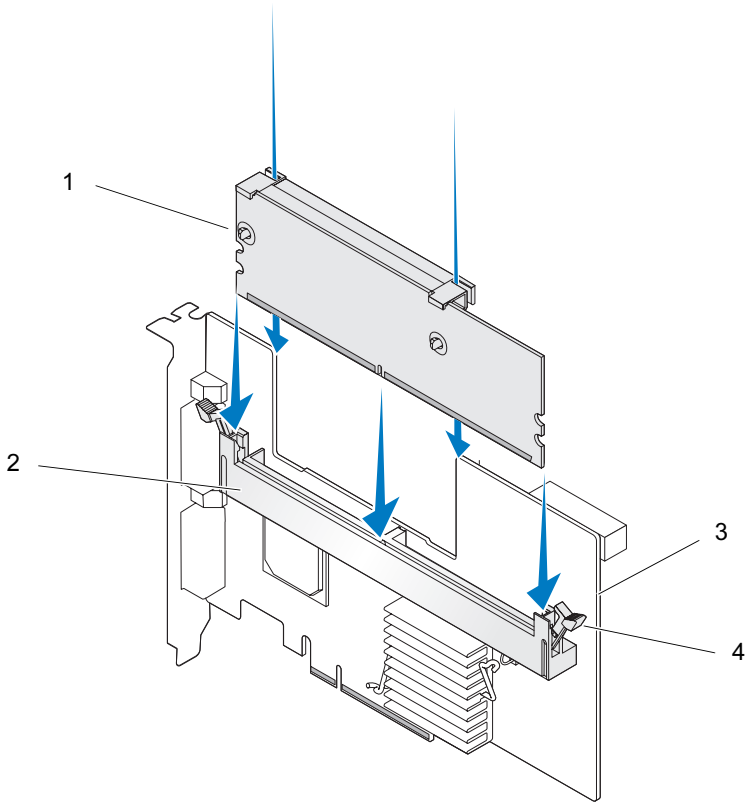
 **ПРИМЕЧАНИЕ:** Вынимая из упаковочной коробки компоненты, чувствительные к статическому электричеству, не снимайте с них антистатическую упаковку до тех пор, пока не будете готовы установить эти компоненты. Прежде чем удалять антистатическую упаковку, не забудьте снять с себя статическое электричество.

 **ПРИМЕЧАНИЕ:** Выполняйте любую работу с чувствительными компонентами только в местах, защищенных от статического электричества. По возможности используйте специальные напольные и настольные антистатические коврики.

 **ПРИМЕЧАНИЕ:** Не дотрагивайтесь до контактов с золотым покрытием и не сгибайте модуль памяти!

- 2 Расположите модуль памяти таким образом, чтобы край с контактами располагался точно над физическим разделителем разъема для модуля памяти контроллера. В противном случае модуль может быть поврежден.
- 3 Вставьте модуль памяти в разъем на контроллере и осторожно нажмите на оба конца или середину модуля, чтобы фиксаторы попали в специальные пазы, расположенные по обеим сторонам модуля памяти. На рисунке рис. 4 показана установка модуля памяти в адаптер PERC x.

Рисунок 4. Установка модуля DIMM.



1 модуль памяти


2 разъем модуля памяти


3 адаптер PERC x/E

4 фиксатор


Извлечение модуля памяти контроллера PERC x/i

В этом разделе описана процедура снятия модуля памяти адаптера PERC x/i или встроенного контроллера PERC x/i, установленного в компьютере.


 **ПРЕДУПРЕЖДЕНИЕ:** Снятие крышки системы и доступ к внутренним компонентам системы разрешены только обученным техническим специалистам сервисной службы. Перед выполнением описанных процедур необходимо ознакомиться с полной информацией о мерах предосторожности, работе внутри компьютера и защите от электростатических разрядов, содержащейся в документе *Информационное руководство по продуктам*.


 **ВНИМАНИЕ:** В зависимости от поколения карты PERC модуль памяти DIMM может оказаться несъемным. Карты PERC 5/i оборудованы съемными модулями памяти DIMM. Карты PERC 6/i оснащены встроенными модулями памяти DIMM, которые не снимаются. Не пытайтесь выполнить описанную в данном разделе процедуру, если в компьютере установлен адаптер PERC 6/i или встроенный контроллер!

- 1 Выполните управляемое выключение системы, в которой установлен адаптер PERC x/i, а также всех подключенных корпусов систем хранения, затем извлеките адаптер PERC x/i из системы. Дополнительная информация содержится в документе *Руководство пользователя по расширяемым RAID-контроллерам Dell PowerEdge x/i и x/E*.

 **ПРЕДУПРЕЖДЕНИЕ:** Работа системы без установленной крышки может привести к выходу из строя в результате неправильного охлаждения.


- 2 Нажав на фиксаторы, расположенные по краям разъема памяти, извлеките модуль памяти из контроллера.


 **ПРИМЕЧАНИЕ:** При снятии модуля памяти не следует прикладывать чрезмерное усилие к разъему.

 **ПРИМЕЧАНИЕ:** В разных системах встроенный контроллер PERC x/i может располагаться по-разному. Сведения о расположении встроенного контроллера PERC x/i см. в *Руководстве пользователя оборудования*, поставляемом вместе с системой.


Отключение блока BBU от контроллера PERC x/i

В этом разделе описана процедура отключения блока резервного батарейного питания (BBU) от адаптера PERC x/i или встроенного контроллера PERC x/i, установленного в системе.


 **ПРЕДУПРЕЖДЕНИЕ:** Снятие крышки системы и доступ к внутренним компонентам системы разрешены только обученным техническим специалистам сервисной службы. Перед выполнением описанных процедур необходимо ознакомиться с полной информацией о мерах предосторожности, работе внутри компьютера и защите от электростатических разрядов, содержащейся в документе *Информационное руководство по продуктам*.

 **ПРИМЕЧАНИЕ:** Адаптеры x/i, установленные в рабочих станциях Dell Precision™ или серверах PowerEdge SC, поставляются блоком резервного питания.

- 1 Выполните управляемое выключение системы, в которой установлен контроллер PERC x/i.
- 2 Выключите компьютер из розетки и снимите крышку системного блока.

 **ПРИМЕЧАНИЕ:** Дополнительные сведения об удалении и установке этой крышки см. в *Руководстве пользователя оборудования*, поставляемом с системой.


- 3 Определите местоположение контроллера PERC x/i и осмотрите его, чтобы узнать, светится ли индикатор наличия измененных кэш-буферов, не записанных на диск. Если он включен, установите крышку на место, снова подключите компьютер к электросети, включите его и повторите шаги 1-2.


 **ПРЕДУПРЕЖДЕНИЕ:** Работа системы без установленной крышки может привести к выходу из строя в результате неправильного охлаждения.


- 4 Найдите место подключения кабеля батареи, расположенное на контроллере рядом с модулем памяти, и отключите батарею.
Обратитесь к *Руководству пользователя оборудования*, поставляемому с системой, чтобы получить информацию о снятии резервного блока батарей. В разных системах расположение блока TBBU контроллера PERC x/i варьируется.

Установка модуля памяти DIMM и блока BBU в контроллер PERC x/i


В этом разделе описывается установка блока TBBU в адаптер PERC x/i или во встроенный контроллер PERC x/i.


 **ПРЕДУПРЕЖДЕНИЕ:** Снятие крышки системы и доступ к внутренним компонентам системы разрешены только обученным техническим специалистам сервисной службы. Перед выполнением описанных процедур необходимо ознакомиться с полной информацией о мерах предосторожности, работе внутри компьютера и защите от электростатических разрядов, содержащейся в документе *Информационное руководство по продуктам*.


 **ВНИМАНИЕ:** В зависимости от поколения карты PERC модуль памяти DIMM может оказаться несъемным. Карты PERC 5/i оборудованы съемными модулями памяти DIMM. Карты PERC 6/i оснащены встроенными модулями памяти DIMM, которые не снимаются. Не пытайтесь выполнить описанную в данном разделе процедуру, если в компьютере установлен адаптер PERC 6/i или встроенный контроллер!

 **ПРИМЕЧАНИЕ:** Полностью зарядите батарею PERC x перед началом работы с устройством.

1 Распакуйте модуль DIMM и блок BBU, соблюдая все процедуры по защите от электростатических разрядов.

 **ПРИМЕЧАНИЕ:** Все работы должны производиться на рабочем месте, защищенном от электростатических разрядов, которое соответствует требованиям стандарта EIA-625 (“Требования к работе с устройствами, чувствительными к электростатическим разрядам”). Все действия должны выполняться в соответствии с рекомендациями последней редакции стандарта IPC-A-610 относительно защиты от электростатических разрядов.

 **ПРИМЕЧАНИЕ:** Выполняйте любую работу с чувствительными компонентами только в местах, защищенных от статического электричества. По возможности используйте специальные напольные и настольные антистатические коврики.

 **ПРИМЕЧАНИЕ:** Вынимая из упаковочной коробки компоненты, чувствительные к статическому электричеству, не снимайте с них антистатическую упаковку до тех пор, пока не будете готовы к установке. Прежде чем удалять антистатическую упаковку, не забудьте снять с себя статическое электричество.

- 2 Найдите место подключения кабеля батареи, расположенное на контроллере рядом с модулем памяти, и подключите батарею.



ПРИМЕЧАНИЕ: При установке модуля памяти не прикладывайте чрезмерных усилий.

- 3 Расположите модуль памяти таким образом, чтобы край с контактами располагался точно над физическим разделителем разъема для модуля памяти контроллера. В противном случае модуль может быть поврежден.
- 4 Вставьте модуль памяти в разъем на контроллере и осторожно нажмите на оба конца или середину модуля, чтобы фиксаторы попали в специальные пазы, расположенные по обеим сторонам модуля памяти.

Controladora Dell™
PowerEdge™
Expandable RAID x

**Extracción e instalación
de la batería y el cable
de la batería
en controladoras PERC**



Notas, avisos y precauciones



NOTA: Una NOTA proporciona información importante que le ayudará a utilizar mejor el ordenador.



AVISO: un AVISO indica la posibilidad de daños en el hardware o la pérdida de datos, e informa de cómo evitar el problema.



PRECAUCIÓN: Un mensaje de PRECAUCIÓN indica el riesgo de daños materiales, lesiones o incluso la muerte.

La información contenida en este documento puede modificarse sin previo aviso.

© 2007 Dell Inc. Todos los derechos reservados.

Queda estrictamente prohibida la reproducción de este documento en cualquier forma sin la autorización por escrito de Dell Inc.

Marcas comerciales utilizadas en este texto: *Dell*, el logotipo de *DELL*, *Dell Precision* y *PowerEdge* son marcas comerciales de Dell Inc.

Otras marcas y otros nombres comerciales pueden utilizarse en este documento para hacer referencia a las entidades que los poseen o a sus productos. Dell Inc. renuncia a cualquier interés sobre la propiedad de marcas y nombres comerciales que no sean los suyos.

Modelo UCP-50 y UCP-51

Noviembre de 2007

N/P XR434

Rev. A00

Extracción e instalación de la batería y el cable de la batería en controladoras PERC

Este documento contiene información sobre cómo extraer e instalar la batería, el cable de la batería y el módulo de memoria en las controladoras Dell™ PowerEdge™ Expandable RAID Controller (PERC).

- Consulte la página 108 para ver los procedimientos de extracción e instalación de la batería para PERC *x/E*, donde *x* es la generación de tarjeta (por ejemplo, 5, 6, etc.)
- Consulte la página 116 para ver los procedimientos de extracción e instalación de la batería PERC *x/i*

Información de seguridad importante



PRECAUCIÓN: las instalaciones que requieren que se extraiga la cubierta del sistema deben llevarlas a cabo técnicos de servicio especializados. Consulte la Guía de información del producto suministrada con el sistema para obtener información completa sobre las precauciones de seguridad, la manipulación de las piezas internas del ordenador y la protección contra descargas electrostáticas.



NOTA: consulte la *Guía de información del producto* suministrada con el sistema para obtener información completa sobre los términos y condiciones de venta en EE. UU., las garantías limitadas y devoluciones, las regulaciones de exportación, el contrato de licencia de software, las instrucciones sobre seguridad, medio ambiente y ergonomía, los avisos sobre reglamentaciones y la información sobre reciclaje.

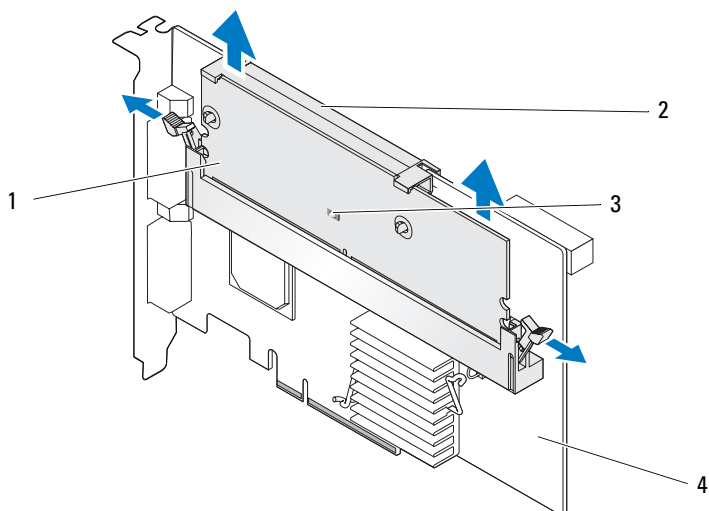
Extracción de la unidad de batería de reserva transportable (TBBU) de un adaptador PERC x/E

En esta sección se describe el procedimiento para extraer la TBBU de un adaptador PERC x/E instalado en el sistema.

NOTA: la TBBU del adaptador PERC x/E consta de un módulo de memoria dual en línea (DIMM) y de una unidad de batería de reserva (BBU).

- 1 Realice un apagado controlado del sistema en el que está instalado el adaptador PERC x/E, así como de todos los alojamientos para almacenamiento conectados, y extraiga el adaptador PERC x/E del sistema. Para obtener más información, consulte la publicación *Dell PowerEdge Expandable RAID Controller x/i and x/E User's Guide* (Guía del usuario de las controladoras Dell PowerEdge Expandable RAID Controller x/i y x/E).
- 2 Examine visualmente la controladora para determinar si el LED de caché con datos pendientes del módulo de memoria está encendido. Vea la figura 1. Si el LED está encendido, vuelva a insertar la controladora en el sistema, coloque la cubierta del sistema, vuelva a conectar el sistema a la toma eléctrica, encienda el sistema y repita el paso 1.

Figura 1. Ubicación del LED de caché con datos pendientes del adaptador PERC x/E



- | | | | |
|---|-----------------------------------|---|--------------------|
| 1 | Módulo de memoria | 2 | Batería |
| 3 | LED de caché con datos pendientes | 4 | Adaptador PERC x/E |

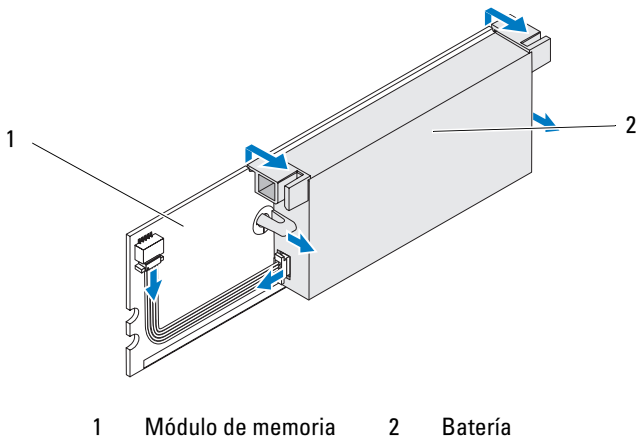
! **PRECAUCIÓN:** si se hace funcionar un sistema sin haber instalado la cubierta, pueden producirse daños debido a una mala refrigeración.

- 3 Presione las lengüetas de cada borde del conector del módulo de memoria y levante el ensamblaje de la TBBU para extraerlo del adaptador PERC x/E.
- 4 Desconecte el cable de la batería del módulo de memoria.

✍ **NOTA:** no presione excesivamente el conector del módulo de memoria al extraer el módulo de memoria.


- 5 Desencaje la batería del módulo de memoria; para ello, presione los ganchos de la batería insertados en el módulo de memoria y gire la batería para extraerla del módulo de memoria. Vea la figura 2.

Figura 2. Extracción de la BBU





Instalación de la nueva BBU y el cable de la batería


En esta sección se describe cómo instalar la BBU y el cable de la batería en el módulo DIMM de un adaptador PERC x/E.

 **PRECAUCIÓN:** los técnicos de servicio especializados son las únicas personas autorizadas para retirar las cubiertas y acceder a los componentes internos del sistema. Antes de realizar cualquier procedimiento, consulte la *Guía de información del producto* para obtener información completa sobre las precauciones de seguridad, la manipulación de las piezas internas del ordenador y la protección contra descargas electrostáticas.


- 1 Desembale la BBU y siga todos los procedimientos antiestáticos.

 **NOTA:** para cumplir la norma EIA-625 de requisitos para la manipulación de dispositivos sensibles a las descargas electrostáticas, toda manipulación debe realizarse en una estación de trabajo con protección frente a descargas electrostáticas. Todas las acciones deben realizarse siguiendo las recomendaciones sobre descargas electrostáticas de la última revisión de IPC-A-610.

 **NOTA:** manipule todos los componentes sensibles en una zona sin electricidad estática. Si es posible, utilice almohadillas antiestáticas sobre el suelo y sobre la mesa.

 **NOTA:** cuando desembale un componente sensible a la electricidad estática, no lo saque del embalaje antiestático hasta que vaya a instalarlo. No olvide descargar la electricidad estática de su cuerpo justo antes de abrir el embalaje antiestático.

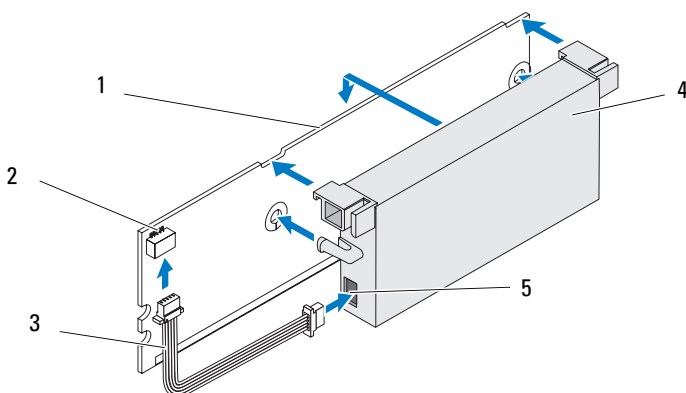
- 2 Una vez que haya extraído el módulo de memoria de la controladora, inserte un extremo del cable de la batería (cables rojo, blanco, amarillo y verde) en el conector del módulo de memoria y el otro extremo, en el conector de la batería.

 **NOTA:** no presione excesivamente el conector del módulo de memoria al instalar el módulo de memoria.

- Coloque el borde superior de la batería sobre el borde superior del módulo de memoria de modo que los brazos del lado de la batería encajen en los zócalos del módulo de memoria. Vea la figura 3.

⚠ PRECAUCIÓN: las descargas electrostáticas pueden dañar los componentes sensibles. Utilice una protección antiestática adecuada siempre que manipule componentes. Si toca los componentes sin una conexión a tierra correcta, puede dañar el equipo.

Figura 3. Instalación de la BBU y el cable de la batería



- | | | | | | |
|---|-------------------|---|--------------------------------|---|---------------------|
| 1 | Módulo de memoria | 2 | Conector del módulo de memoria | 3 | Cable de la batería |
| 4 | Batería | 5 | Conector de la batería | | |


- Coloque el adaptador PERC x/E sobre una superficie plana, limpia y sin electricidad estática.
- Instale el módulo de memoria en el zócalo de memoria de la controladora del mismo modo que un módulo DIMM estándar. Para obtener más información, consulte la sección “Instalación de la TBBU en un adaptador PERC x/E”.


El módulo de memoria se monta en el mismo nivel que la placa, de modo que al instalar el módulo de memoria éste quede paralelo a la placa.

- 6 Presione firmemente el módulo de memoria dentro del zócalo de memoria. Al presionar el módulo de memoria en el zócalo, la BBU encaja en su lugar, lo cual indica que la controladora está asentada firmemente en el zócalo, y los brazos del zócalo quedan encajados en las muescas para sujetar de forma segura el módulo de memoria.


Instalación de la TBBU en un adaptador PERC x/E


En esta sección se describe el procedimiento para instalar el módulo de memoria en un adaptador PERC x/E.

 **PRECAUCIÓN:** los técnicos de servicio especializados son las únicas personas autorizadas para retirar las cubiertas y acceder a los componentes internos del sistema. Antes de realizar cualquier procedimiento, consulte la *Guía de información del producto* para obtener información completa sobre las precauciones de seguridad, la manipulación de las piezas internas del ordenador y la protección contra descargas electrostáticas.

 **NOTA:** la TBBU del adaptador PERC x/E consta de un módulo de memoria dual en línea (DIMM) y de una unidad de batería de reserva (BBU).

- 1 Extraiga el módulo de memoria en un entorno antiestático.

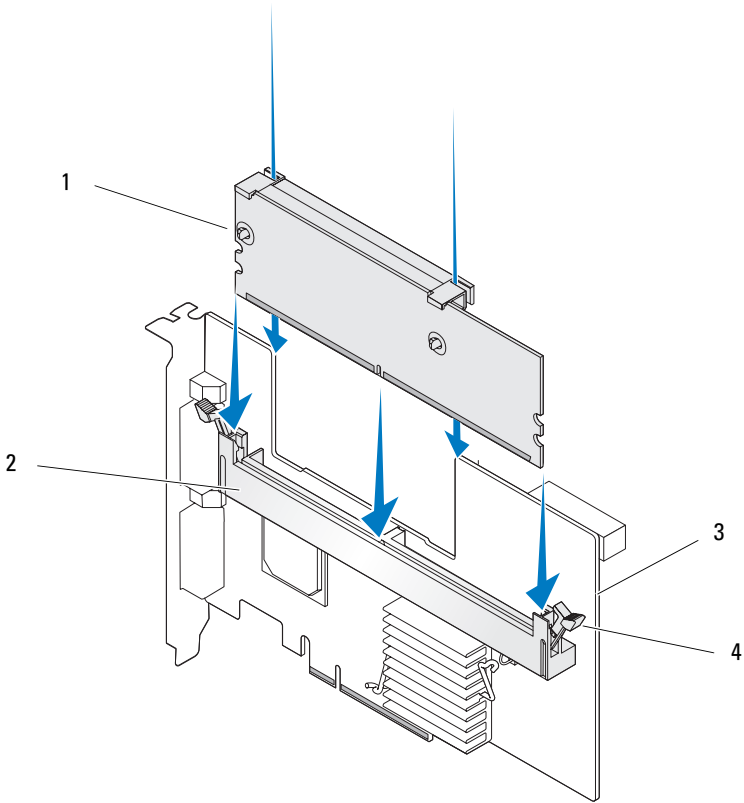
 **NOTA:** cuando desembale un componente sensible a la electricidad estática, no lo saque del embalaje antiestático hasta que vaya a instalarlo. No olvide descargar la electricidad estática de su cuerpo justo antes de abrir el embalaje antiestático.

 **NOTA:** manipule todos los componentes sensibles en una zona sin electricidad estática. Si es posible, utilice almohadillas antiestáticas sobre el suelo y sobre la mesa.

 **NOTA:** no toque los cables dorados ni doble el módulo de memoria.

- 2 Alinee el módulo de memoria de modo que el borde con marca del módulo de memoria quede colocado exactamente sobre la parte superior del divisor físico en el zócalo de memoria de la controladora. Esto evitará que se dañe el módulo de memoria.
- 3 Inserte el módulo de memoria en el zócalo de memoria de la controladora y, a continuación, presiónelo suavemente hacia abajo por ambos extremos o por el centro hasta que los ganchos de retención coincidan con las ranuras correspondientes en cada lado del módulo de memoria. En la figura 4 se muestra la instalación de un módulo de memoria en un adaptador PERC x/E.


Figura 4. Instalación de un módulo de memoria dual en línea




- | | | | |
|---|--------------------|---|---------------------|
| 1 | Módulo de memoria | 2 | Zócalo de memoria |
| 3 | Adaptador PERC x/E | 4 | Gancho de retención |


Extracción del módulo DIMM de una controladora PERC *x/i*

En esta sección se describe el procedimiento para extraer el módulo de memoria de un adaptador PERC *x/i* o una controladora PERC *x/i* integrada instalados en un sistema.


 **PRECAUCIÓN:** los técnicos de servicio especializados son las únicas personas autorizadas para retirar las cubiertas y acceder a los componentes internos del sistema. Antes de realizar cualquier procedimiento, consulte la *Guía de información del producto* para obtener información completa sobre las precauciones de seguridad, la manipulación de las piezas internas del ordenador y la protección contra descargas electrostáticas.


 **AVISO:** según la generación de la tarjeta PERC, es posible que el módulo de memoria DIMM no sea extraíble. Las tarjetas PERC 5/i incluyen un módulo DIMM extraíble. Las tarjetas PERC 6/i tienen un módulo DIMM integrado que no puede extraerse. No intente realizar el procedimiento siguiente en una tarjeta controladora integrada o adaptador PERC 6/i.

- 1 Realice un apagado controlado del sistema en el que está instalada la controladora PERC *x/i* y extraiga la controladora PERC *x/i* del sistema. Para obtener más información, consulte la publicación *Dell PowerEdge Expandable RAID Controller *x/i* and *x/E* User's Guide* (Guía del usuario de las controladoras Dell PowerEdge Expandable RAID Controller *x/i* y *x/E*).

 **PRECAUCIÓN:** si se hace funcionar un sistema sin haber instalado la cubierta, pueden producirse daños debido a una mala refrigeración.

- 2 Presione las lengüetas de cada borde del conector del módulo de memoria y levante el módulo de memoria para extraerlo de la controladora.

 **NOTA:** no presione excesivamente el conector del módulo de memoria al extraer el módulo de memoria.

 **NOTA:** la ubicación de la controladora PERC *x/i* integrada varía en función del sistema. Consulte el *Manual del propietario del hardware* suministrado con el sistema para obtener información específica sobre la ubicación de la controladora PERC *x/i* integrada.

Desconexión de la BBU de una controladora PERC x/i

En esta sección se describe el procedimiento para desconectar la BBU de un adaptador PERC x/i o una controladora PERC x/i integrada mientras están instalados en un sistema.



PRECAUCIÓN: los técnicos de servicio especializados son las únicas personas autorizadas para retirar las cubiertas y acceder a los componentes internos del sistema. Antes de realizar cualquier procedimiento, consulte la *Guía de información del producto* para obtener información completa sobre las precauciones de seguridad, la manipulación de las piezas internas del ordenador y la protección contra descargas electrostáticas.



NOTA: los adaptadores PERC x/i instalados en estaciones de trabajo Dell Precision™ o en servidores PowerEdge SC no disponen de una BBU.

- 1 Realice un apagado controlado del sistema en el que está instalada la controladora PERC x/i.
- 2 Desconecte el sistema de la toma eléctrica y extraiga la cubierta del sistema.



NOTA: para obtener más información sobre cómo extraer y volver a colocar la cubierta del sistema, consulte el *Manual del propietario del hardware* suministrado con el sistema.

- 3 Localice la controladora PERC x/i en el sistema y examínela visualmente para determinar si el LED de caché con datos pendientes de la controladora está encendido. Si el LED está encendido, vuelva a colocar la cubierta del sistema, vuelva a conectar el sistema a la alimentación, encienda el sistema y repita los pasos 1 y 2.




PRECAUCIÓN: si se ejecuta un sistema sin haber instalado la cubierta, pueden producirse daños debido a una mala refrigeración.


- 4 Localice la conexión del cable de la batería junto al módulo de memoria de la controladora y desconecte la batería.


Consulte el *Manual del propietario del hardware* suministrado con el sistema para obtener información sobre cómo extraer la BBU del chasis del sistema. La ubicación de la TBBU de la controladora PERC x/i varía en función del sistema.

Instalación del módulo DIMM y la BBU en una controladora PERC x/i


En esta sección se describe cómo instalar la TBBU en un adaptador PERC x/i o una controladora PERC x/i integrada.


 **PRECAUCIÓN:** los técnicos de servicio especializados son las únicas personas autorizadas para retirar las cubiertas y acceder a los componentes internos del sistema. Antes de realizar cualquier procedimiento, consulte la *Guía de información del producto* para obtener información completa sobre las precauciones de seguridad, la manipulación de las piezas internas del ordenador y la protección contra descargas electrostáticas.


 **AVISO:** según la generación de la tarjeta PERC, es posible que el módulo de memoria DIMM no sea extraíble. Las tarjetas PERC 5/i incluyen un módulo DIMM extraíble. Las tarjetas PERC 6/i tienen un módulo DIMM integrado que no puede extraerse. No intente realizar el procedimiento siguiente en una tarjeta controladora integrada o adaptador PERC 6/i.

 **NOTA:** para lograr que funcione plenamente, cargue la batería PERC x antes del primer uso.

- 1 Desembale el módulo DIMM y la BBU y siga todos los procedimientos antiestáticos.

 **NOTA:** para cumplir la norma EIA-625 de requisitos para la manipulación de dispositivos sensibles a las descargas electrostáticas, toda manipulación debe realizarse en una estación de trabajo con protección frente a descargas electrostáticas. Todas las acciones deben realizarse siguiendo las recomendaciones sobre descargas electrostáticas de la última revisión de IPC-A-610.

 **NOTA:** manipule todos los componentes sensibles en una zona sin electricidad estática. Si es posible, utilice almohadillas antiestáticas sobre el suelo y sobre la mesa.

 **NOTA:** cuando desembale un componente sensible a la electricidad estática, no lo saque del embalaje antiestático hasta que vaya a instalarlo. No olvide descargar la electricidad estática de su cuerpo justo antes de abrir el embalaje antiestático.

- 2 Localice la conexión del cable de la batería junto al módulo de memoria de la controladora y conecte la batería.



NOTA: no presione excesivamente el conector del módulo de memoria al instalar el módulo de memoria.

- 3 Alinee el módulo de memoria de modo que el borde con marca del módulo de memoria quede colocado exactamente sobre la parte superior del divisor físico en el zócalo de memoria de la controladora. Esto evitará que se dañe el módulo de memoria.
- 4 Inserte el módulo de memoria en el zócalo de memoria de la controladora y, a continuación, presiónelo suavemente hacia abajo por ambos extremos o por el centro hasta que los ganchos de retención coincidan con las ranuras correspondientes en cada lado del módulo de memoria.

